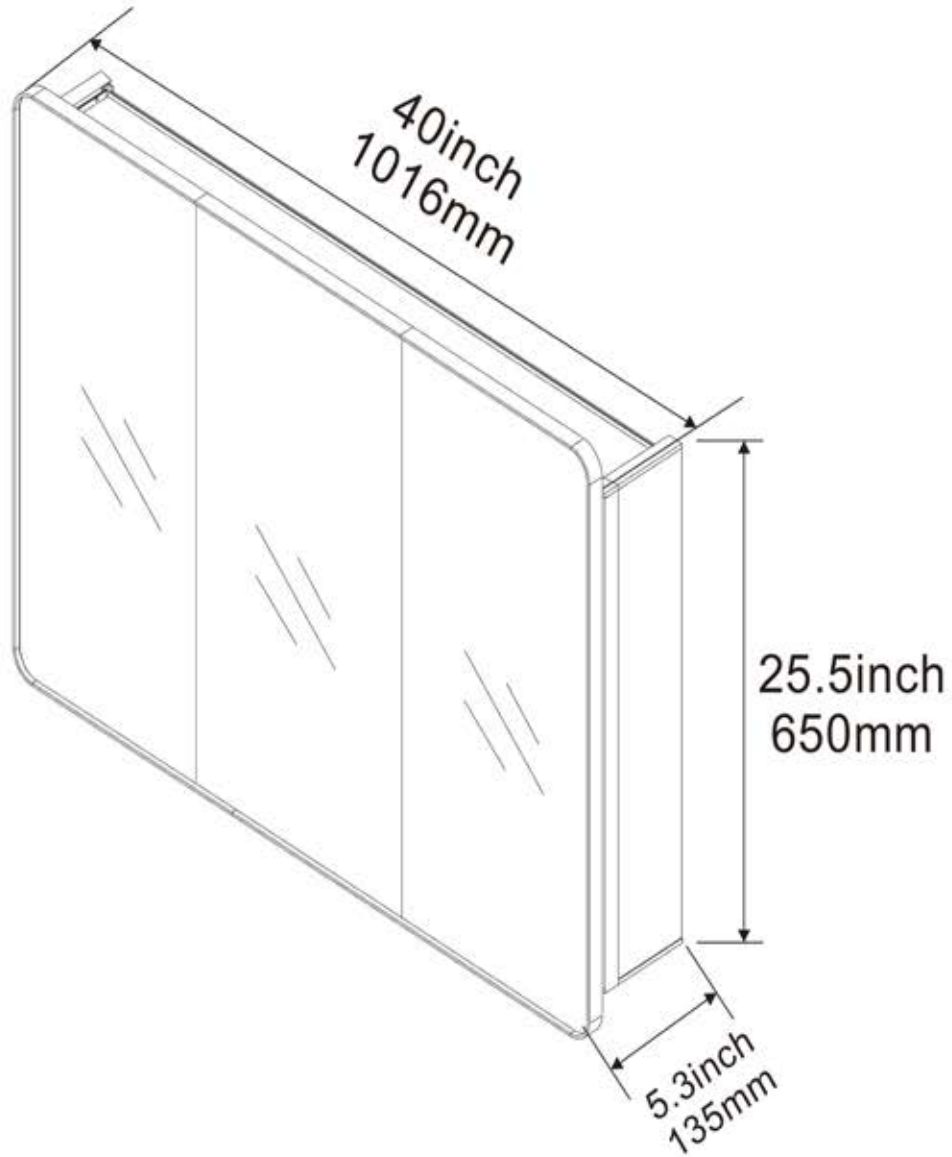


This cabinet could be **surface mount** and **recessed mount**.
please refer to the instruction before installation.

Medicine Cabinet

Assembly Instructions

QI004703



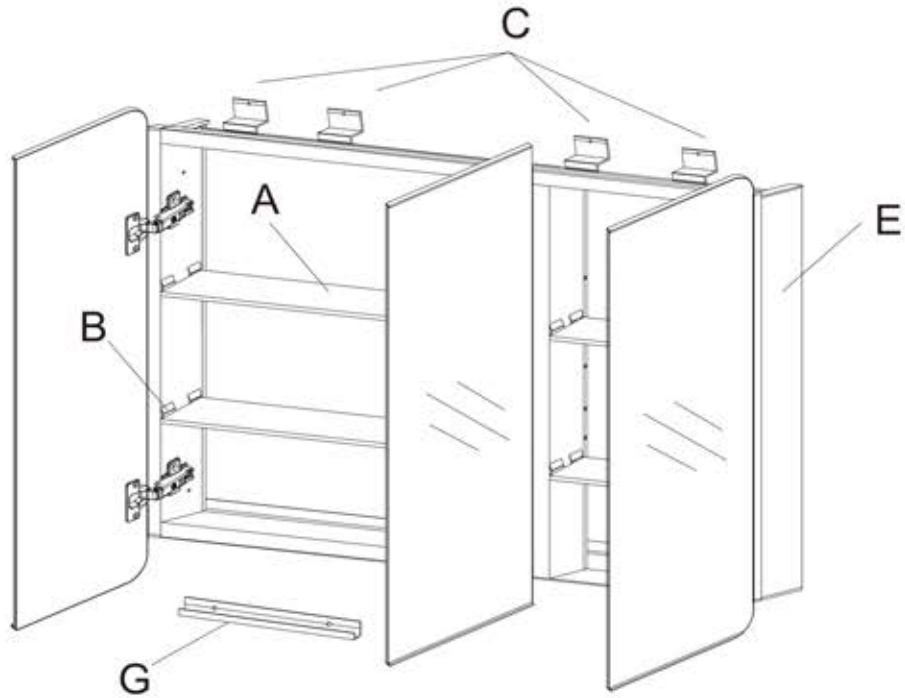
Thank you

Thanks for choosing us

We strive to continually make quality and creative products to meet your needs.

Any question, please feel free to contact us!

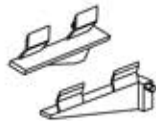
PART LIST



SUPPLIED HARDWARE LIST



A 4x



B 4+4



C 4x



D 6x



E 2x



F 2x



G 1x



H1 2x



H2 2x



I 8x



J 6x

TOOLS REQUIRED (not supplied)



Pencil



Screwdriver



Level



Rubber mallet



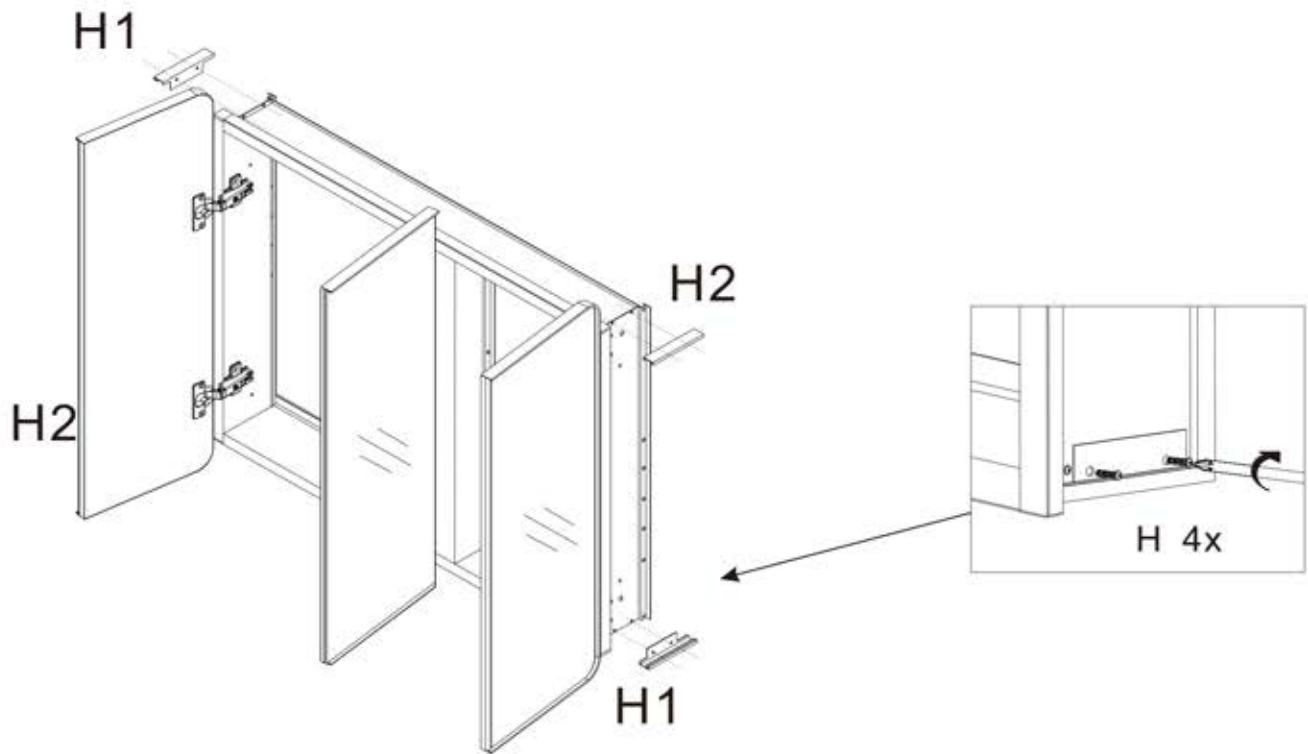
Measuring Tape



Drill

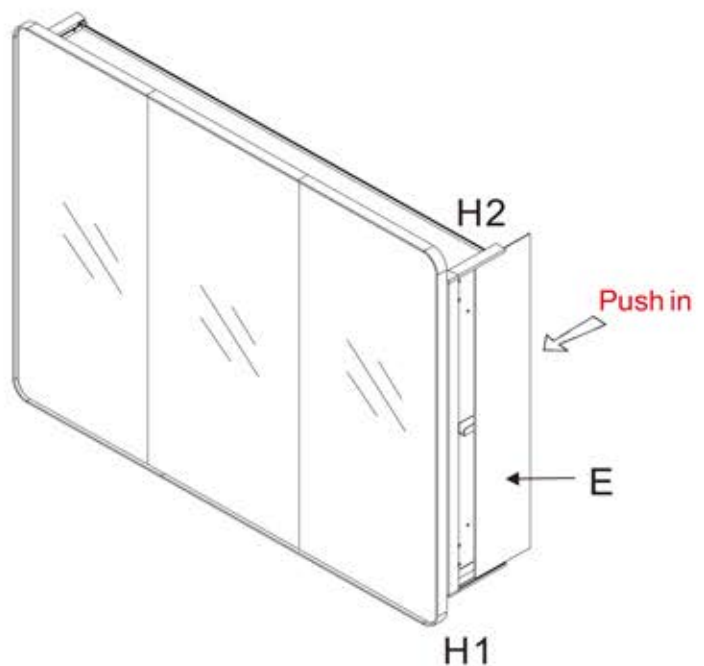
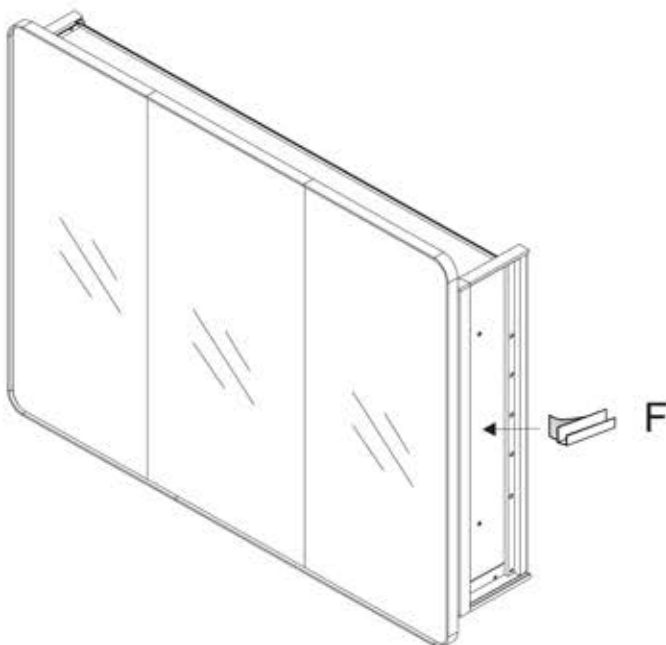
Surface Mount Installation

STEP 1 Fix the side panel brackets (H1,H2) on the 4 corner with screws (I).

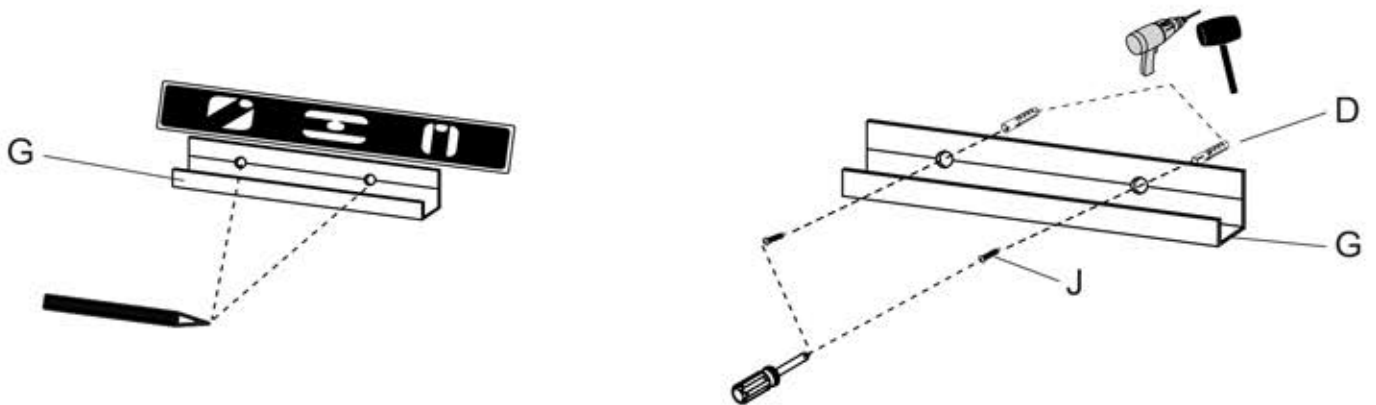


STEP 2 Paste the side panel spacers (F) on the 2 sides.

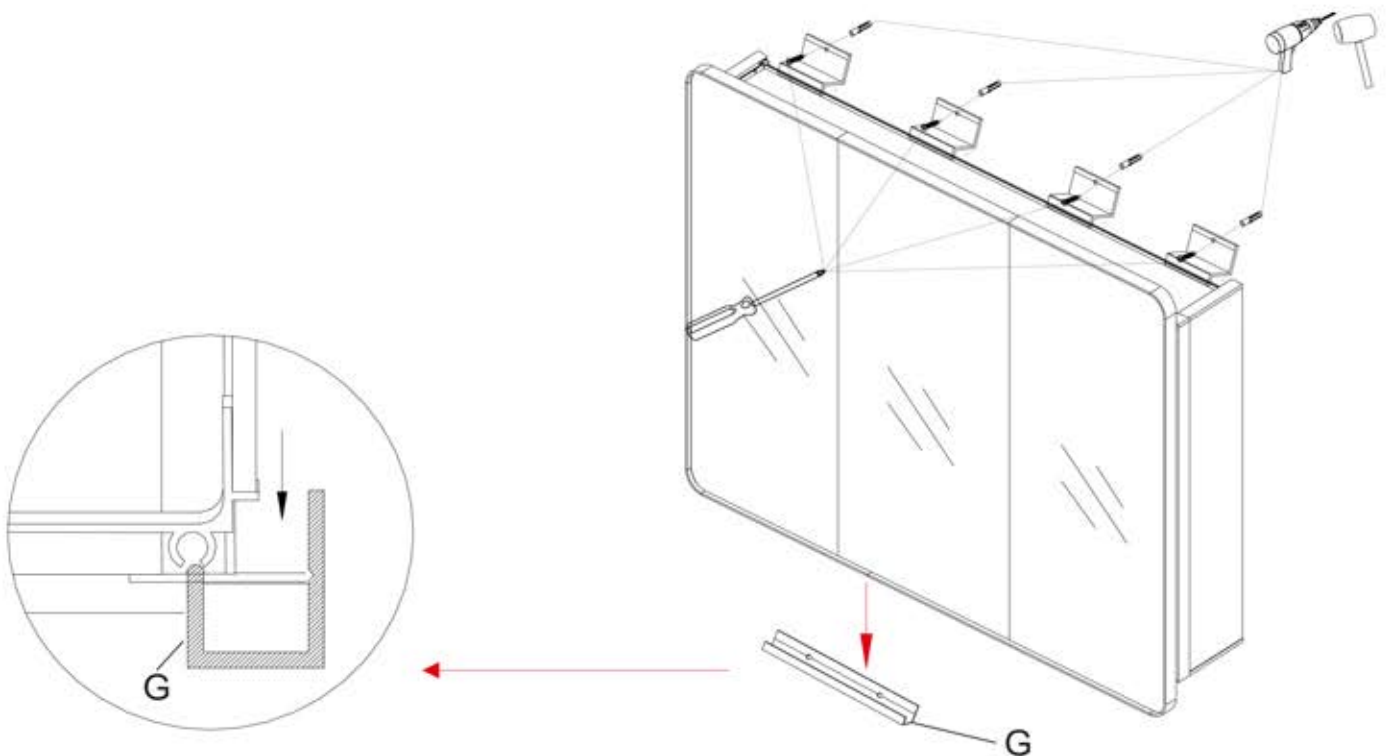
STEP 3 And then push the side panel(E) into the slot of the side panel bracket (H).



◆ **STEP 4** Position the bottom bracket (G) with level, and install with wall plug (D) & screws (J).

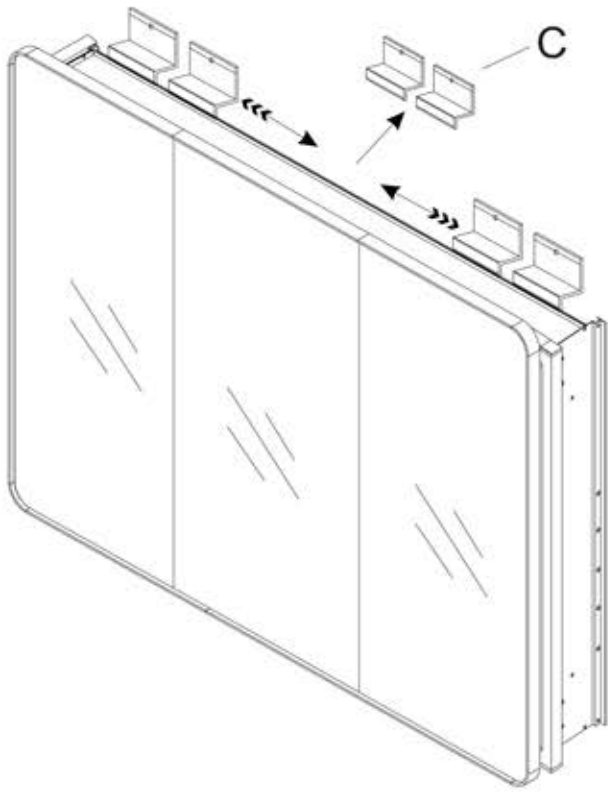


◆ **STEP 5** Set the cabinet on the bottom mounting bar (G) and hold in place. Position the top mounting bracket (C) and install with wall plug (D) & screw (J).

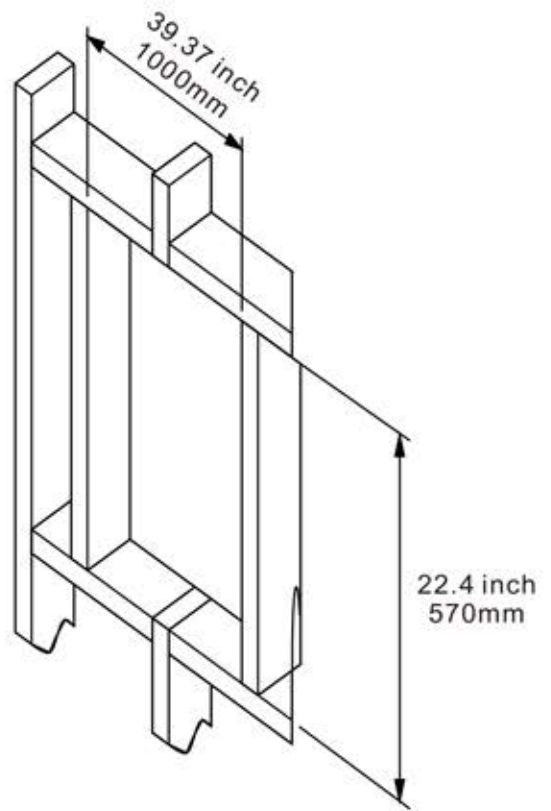


RECESSED MOUNT INSTALLATION

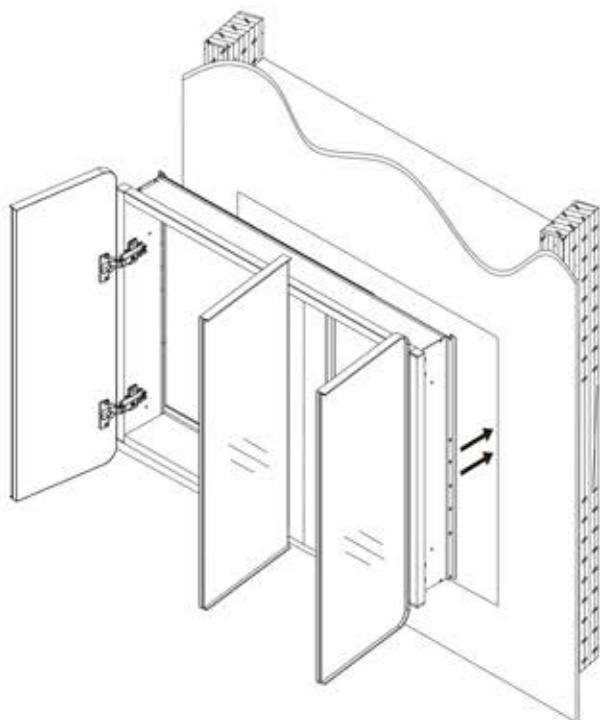
STEP 1 Remove the top brackets(C).



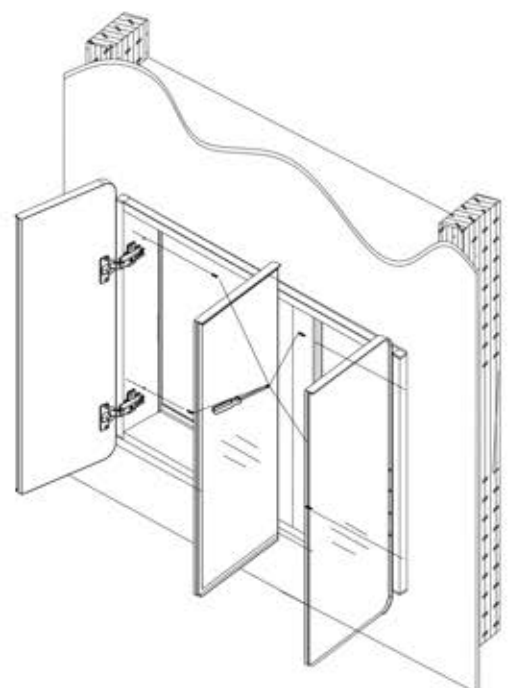
STEP 2 Draw the perimeter of the cabinet. Cut at the marked lines with the appropriate tool. Make sure that there is support on both sides of the opening to attach the cabinet box.



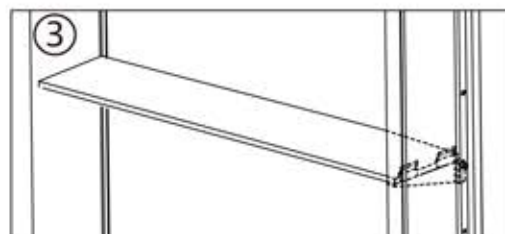
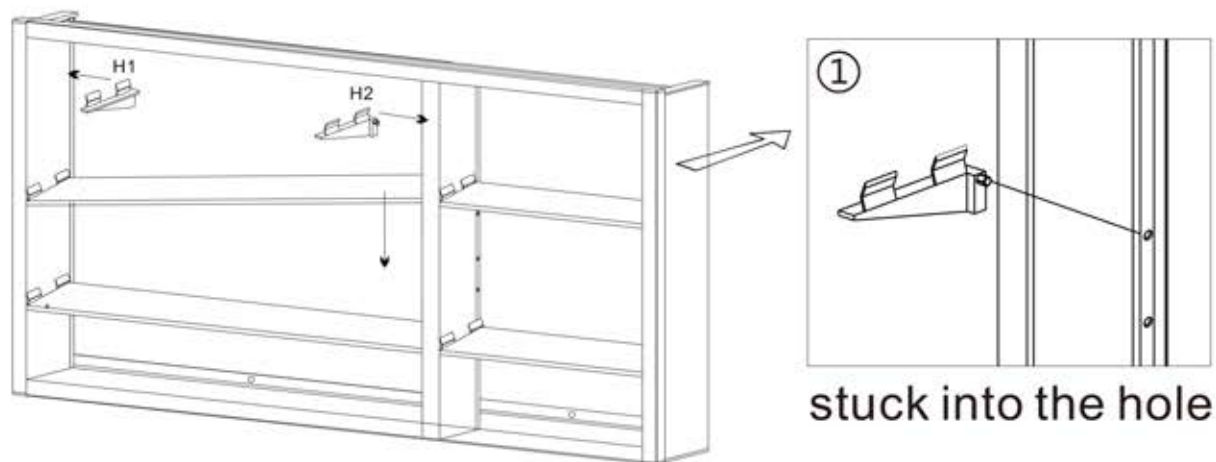
STEP 3 Frame the cutout opening. Place and hold the cabinet in the cutout



STEP 4 Level, then secure the cabinet with screws (J).



TO ASSEMBLE THE SHELVES

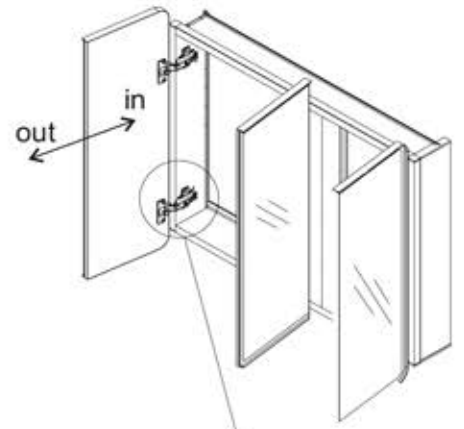
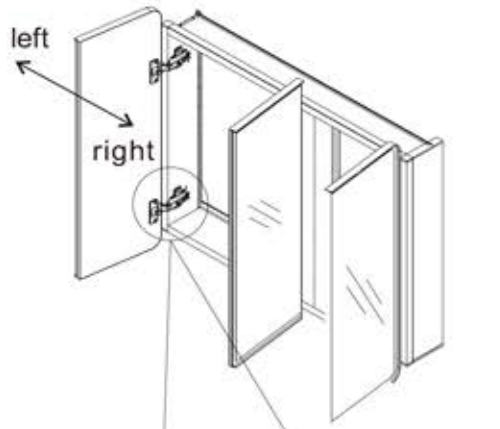
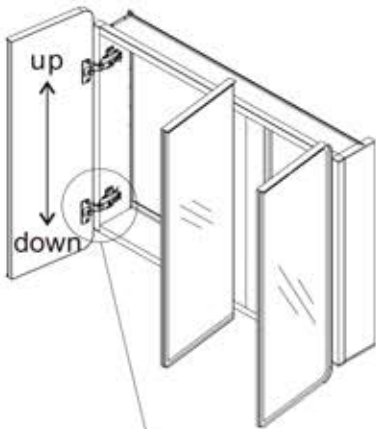
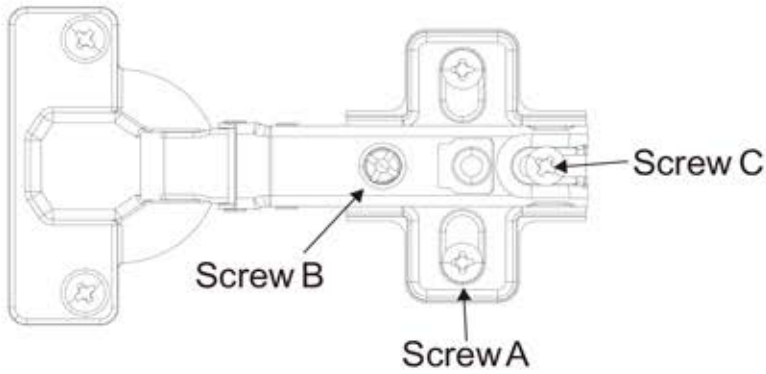


Fix the shelf bracket H1 /H2.

Note :

- *The shelf bracket needs to be distinguished between left and right.
- *Pay attention to distinguish the up and down direction of the shelf brackets
- *The rectangular column of the shelf bracket needs to be stuck into the side panel slot, and the round column needs to be stuck into the hole of the side panel slot.

TO ADJUST THE HINGE (If Necessary)



For left door:

Screw A

*Loosen if necessary to adjust the up and down of the door. After adjustment, you need to tighten the screw again.

Screw B

*Twist clockwise - the door panel moves to the right
*Twist counterclockwise - the door panel moves to the left

Screw C

*Loosen if necessary to adjust the in and out of the door. After adjustment, you need to tighten the screw again.

For right door:

Screw A

*Loosen if necessary to adjust the up and down of the door. After adjustment, you need to tighten the screw again.

Screw B

*Twist clockwise - the door panel moves to the left
*Twist counterclockwise - the door panel moves to the right

Screw C

*Loosen if necessary to adjust the in and out of the door. After adjustment, you need to tighten the screw again.