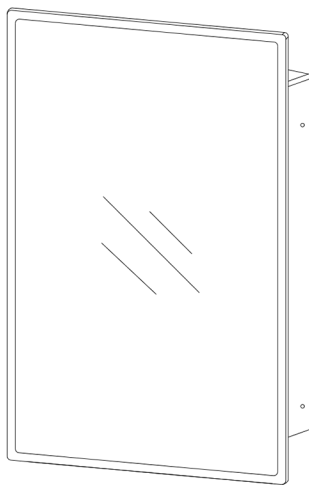


This cabinet could be **surface mount** and **recessed mount**.
please refer to the instruction before installation.

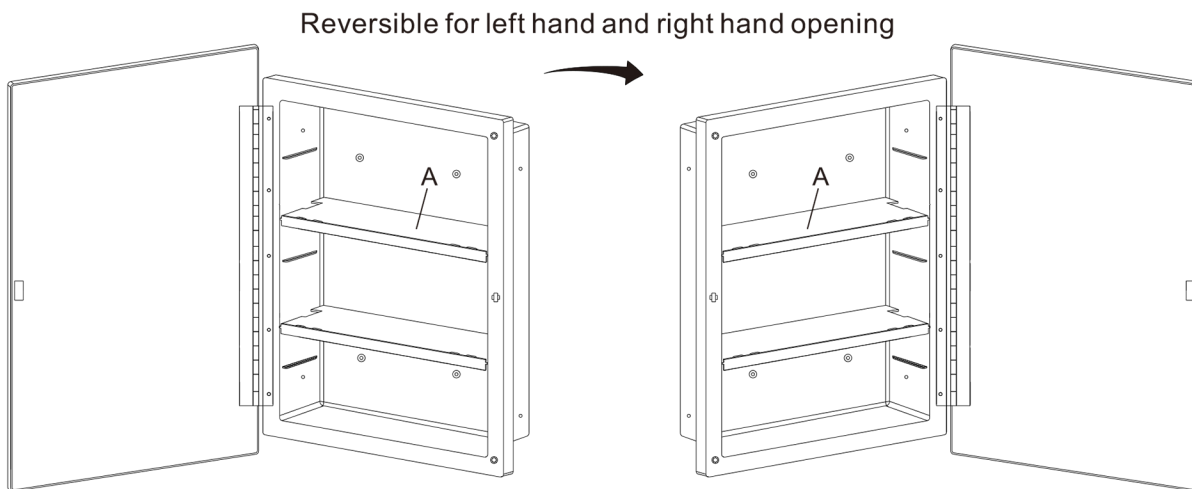
Medicine Cabinet

Assembly Instructions

QI004701



PART LIST



SUPPLIED HARDWARE LIST



A 2x



B 4x



C 4x



D 4x

TOOLS REQUIRED (not supplied)



Pencil



Screwdriver



Level



Rubber mallet



Measuring Tape

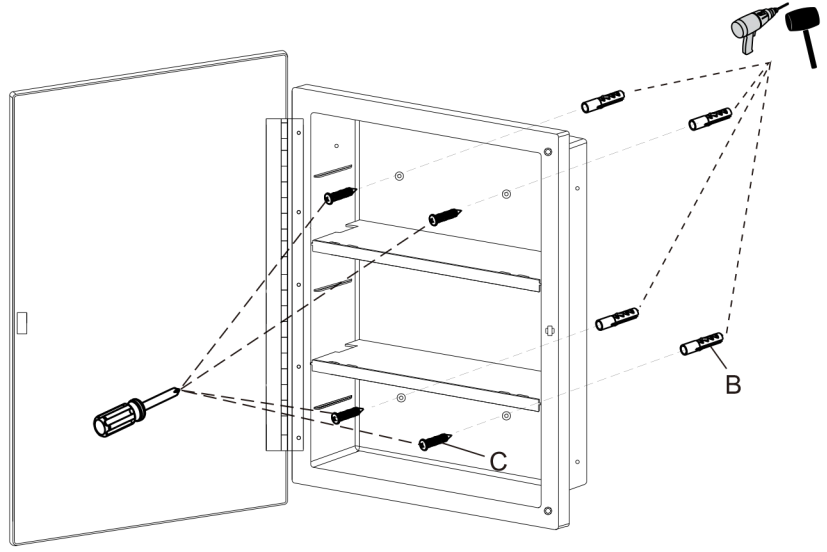


Drill

SURFACE MOUNT INSTALLATION

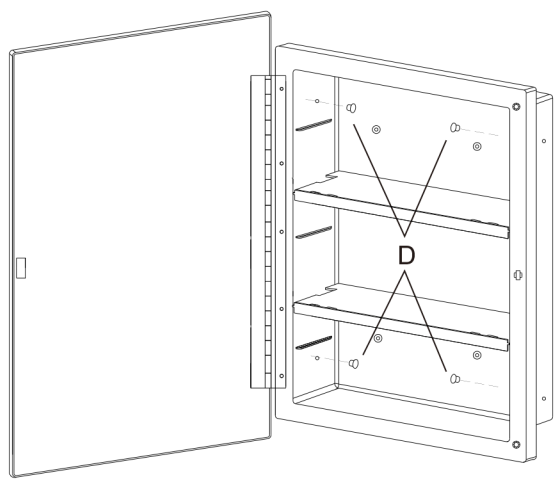
STEP 1

Drill the screw holes in the desired position. Insert the wall plugs (B). Fixed the cabinet with screws (C)



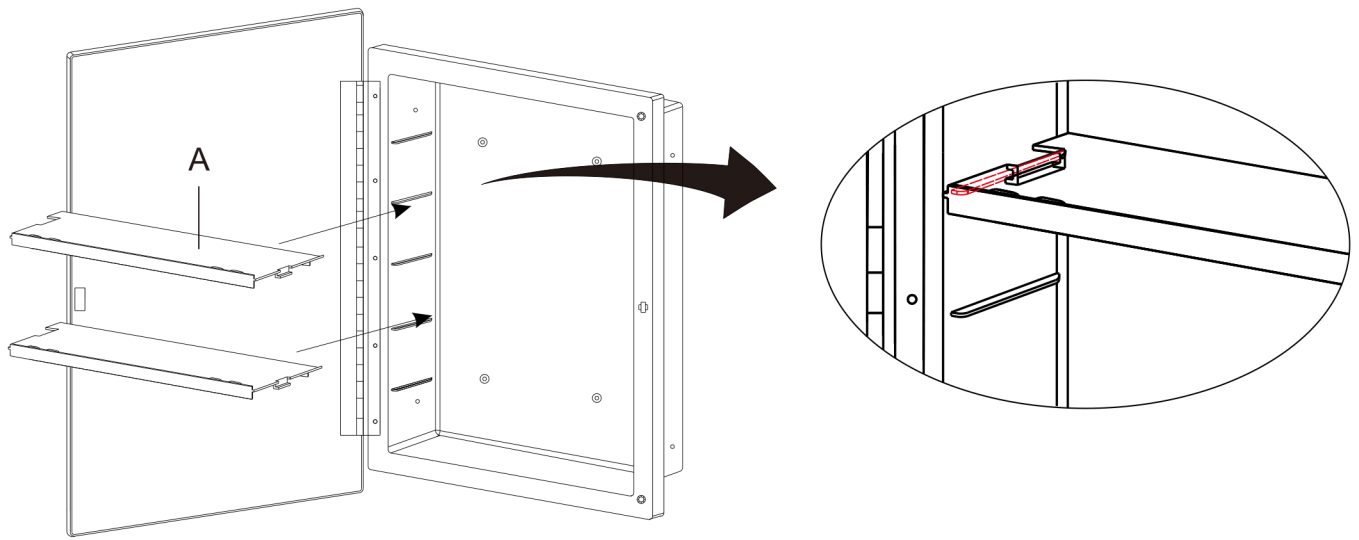
STEP 2

Cover the side holes with hole plugs (D).



STEP 3

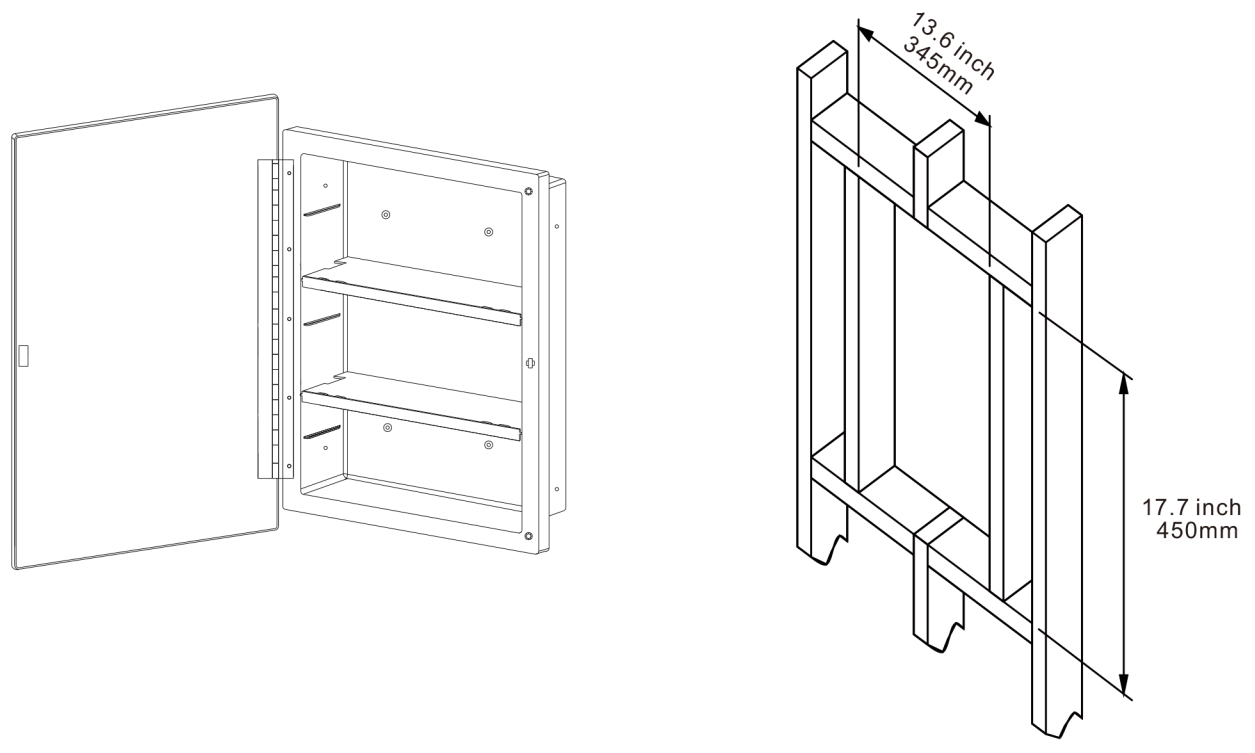
Insert the shelves (A). And ensure that the shelf bracket is fully seated in the shelf groove.



RECESSED MOUNT INSTALLATION

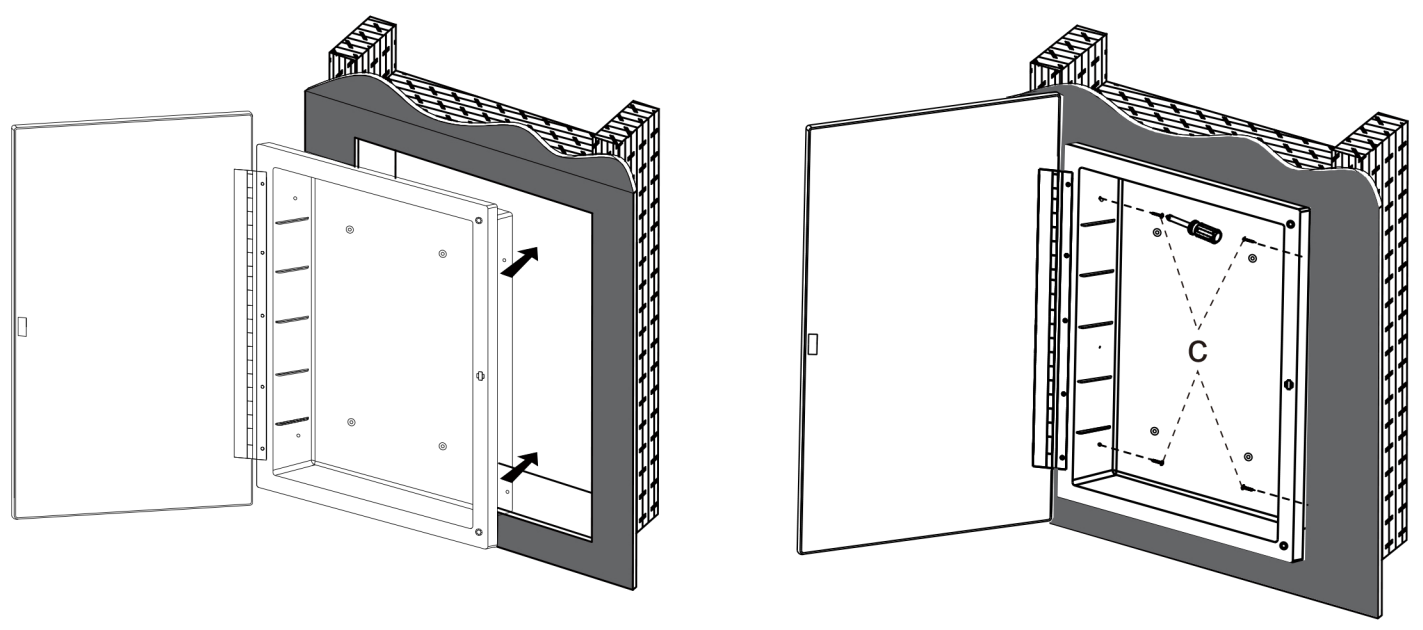
STEP 1

Draw the perimeter of the cabinet. Cut at the marked lines with the appropriate tool. Make sure that there is support on both sides of the opening to attach the cabinet box.

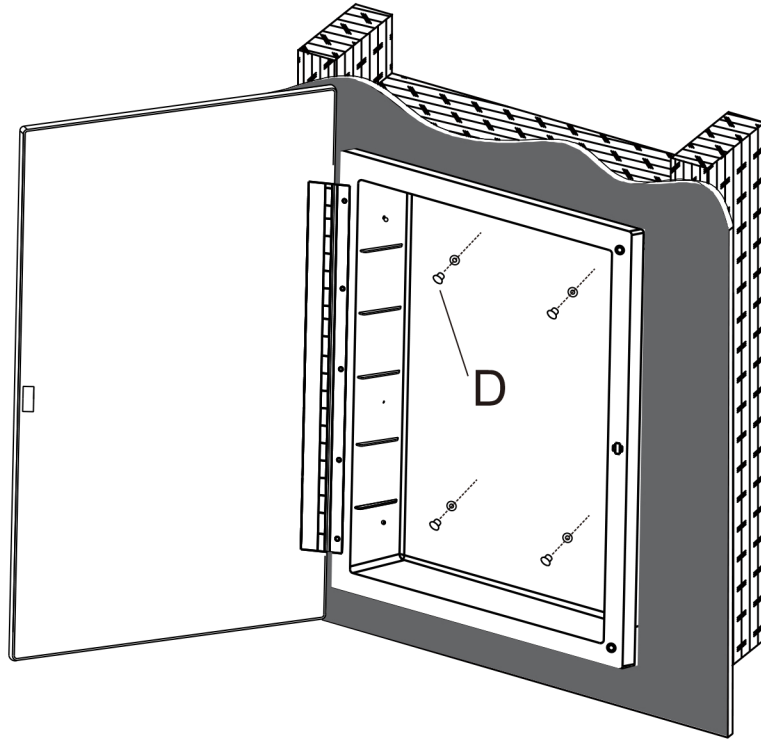


STEP 2

Level, then secure the cabinet with screws (C)



◆ STEP 3 → Cover the mounting holes with hole plugs (D).



◆ STEP 4 → Insert the shelves (A). And ensure that the shelf bracket is fully seated in the shelf groove.

