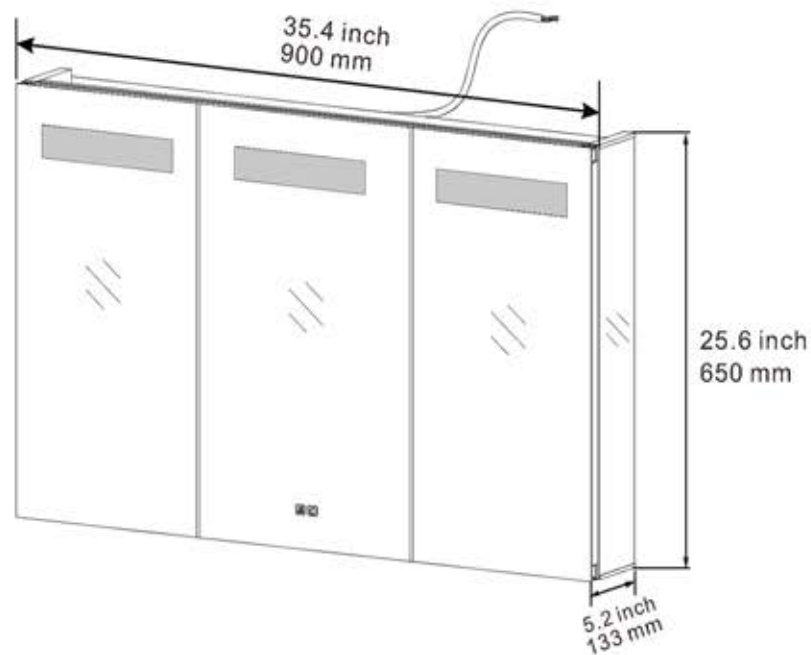


Medicine Cabinet Assembly Instructions QI004700



Please follow the fixing and care instructions to ensure your aluminium cabinet is fitted safely and retains its high quality finish.
Please retain this leaflet for future reference.

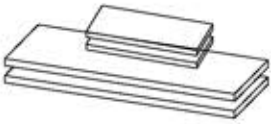
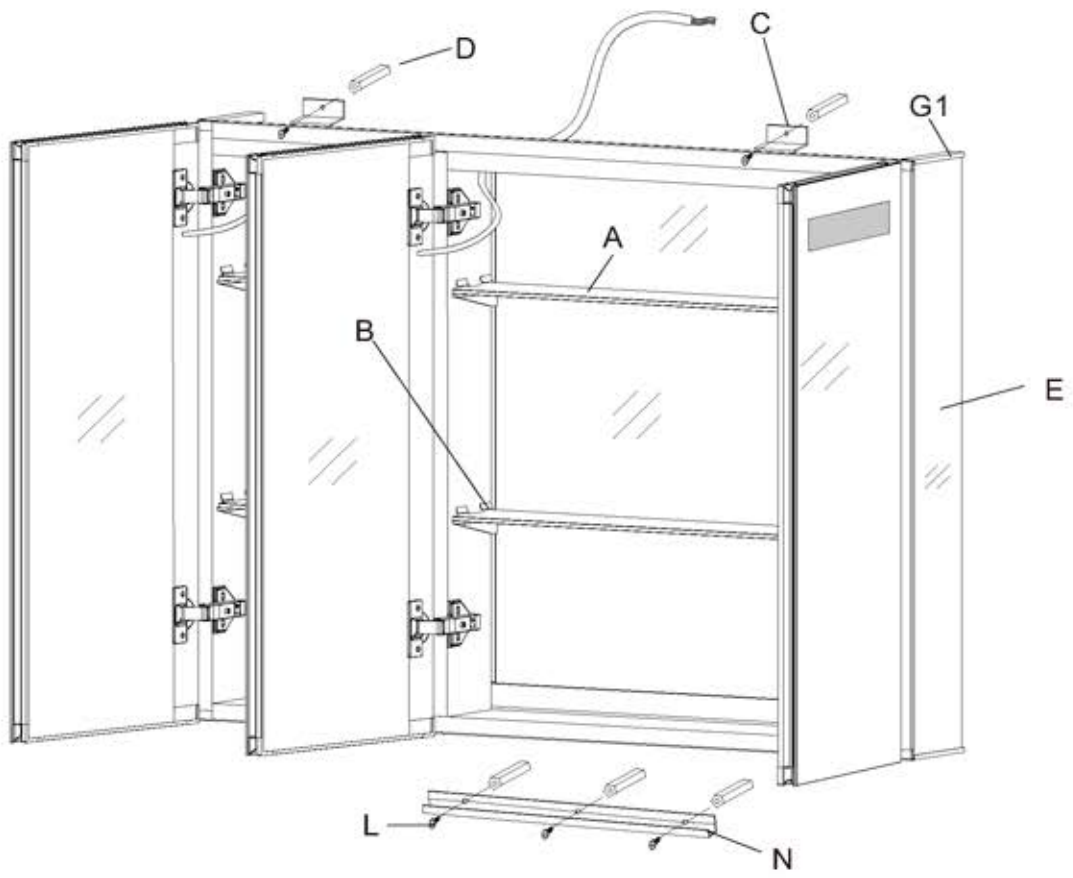
Home Safety Advice

- **INPUT: AC100V-120V. MUST BE CONNECTED TO EARTH (⊕) AND LEAKAGE SWITCH.**
- **HAZARDOUS VOLTAGES INSIDE - DO NOT REMOVE ANY COVERS IF NOT PROFESSIONAL ELECTRICIAN. ⚡**
- It is recommended that two people fit this product to ensure that it is fitted safely.
- Always take care when using power tools, particularly in the bathroom.
- Always check for hidden cables and pipework before drilling and take extreme care if there is any water in the working area.
- It is advisable to use a residual current circuit breaker (RCCB).
- Always wear suitable eye protection when drilling.
- If the product is to be fitted on a ceramic tiled wall, a ceramic drill bit should be used.
- Always ensure that the drill hole passes through the central tiled area rather than through the grouted area. To prevent damage to the tile, mask the area around the hole with tape before drilling.
- Do not strike the product with hard or sharp objects.

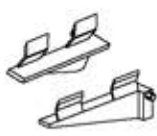
Product Care

To retain the best quality finish, clean product regularly with a soft damp cloth.
Do not use abrasive or chemical cleaners as these will damage the product.

SUPPLIED HARDWARE LIST



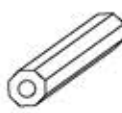
A 2+2



B 4+4



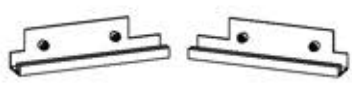
C 2x



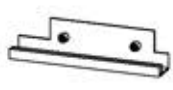
D 5x



E 2x



G1 2x



G2 2x



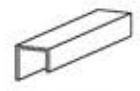
H 8x



L 4x



N 1x



M 2x

TOOLS REQUIRED (not supplied)



Pencil



Screwdriver



Level



Rubber mallet

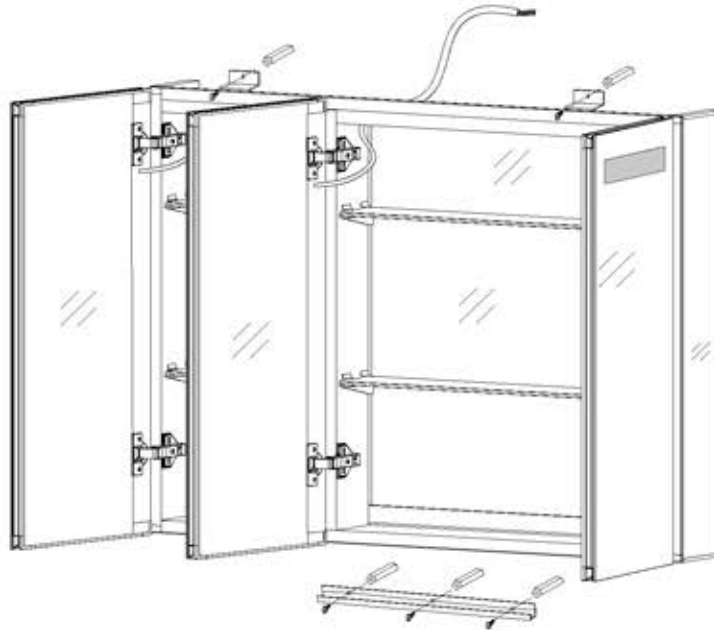


Measuring Tape

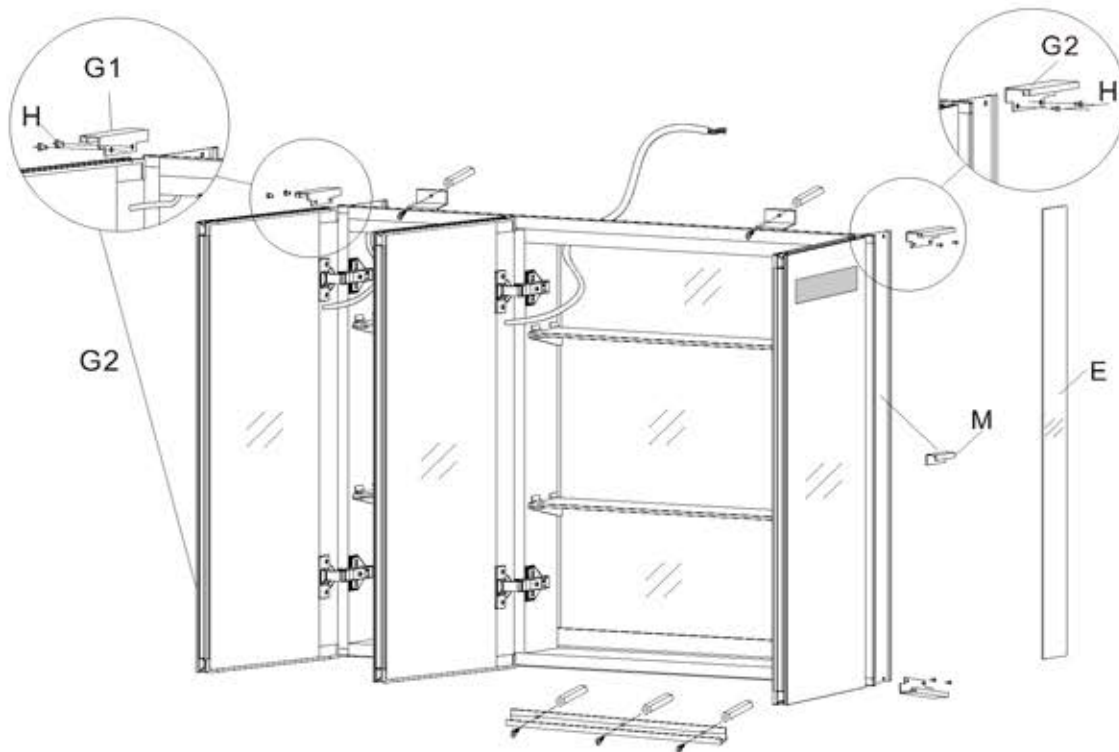


Drill

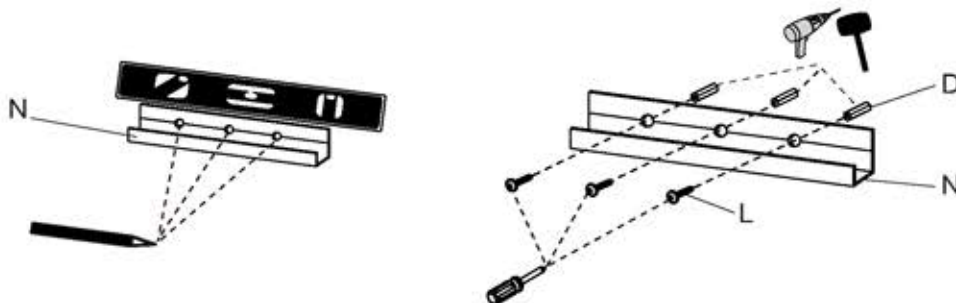
INSTALLATION(SURFACE MOUNT)



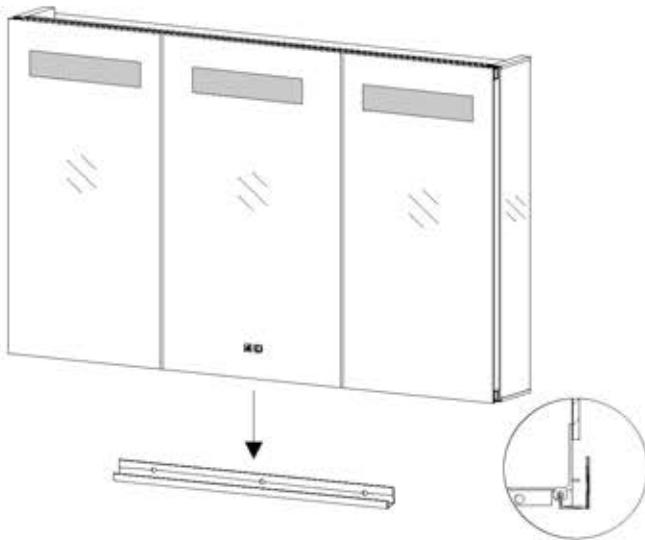
STEP 1 Fix the side panel brackets (G1/G2) on the 4 corners with screws (H). Paste the side panel support bracket (M) on both sides of the cabinet to support the side panels. Then insert the side panels (E).



STEP 2 Position the bottom bracket (N) with level, and install with screws (L).

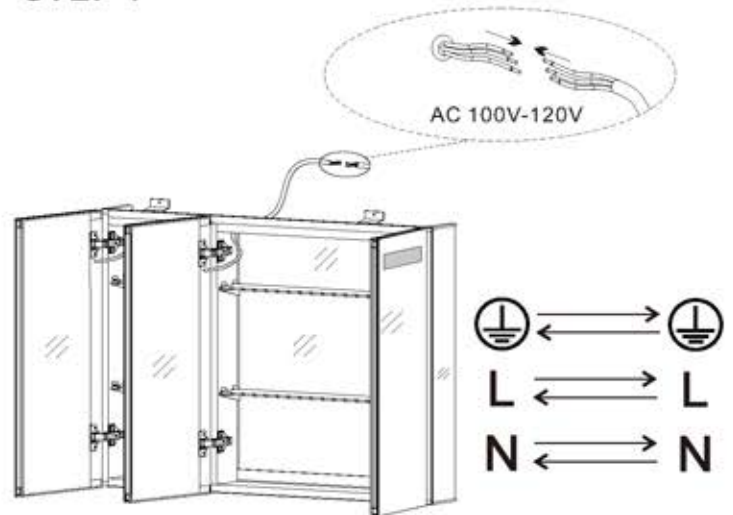


STEP 3



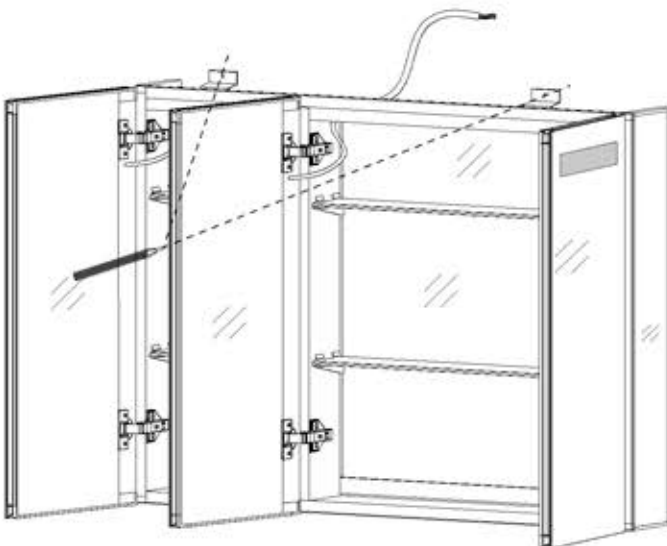
Reset the cabinet on the bottom bracket (N) and hold in place.

STEP 4



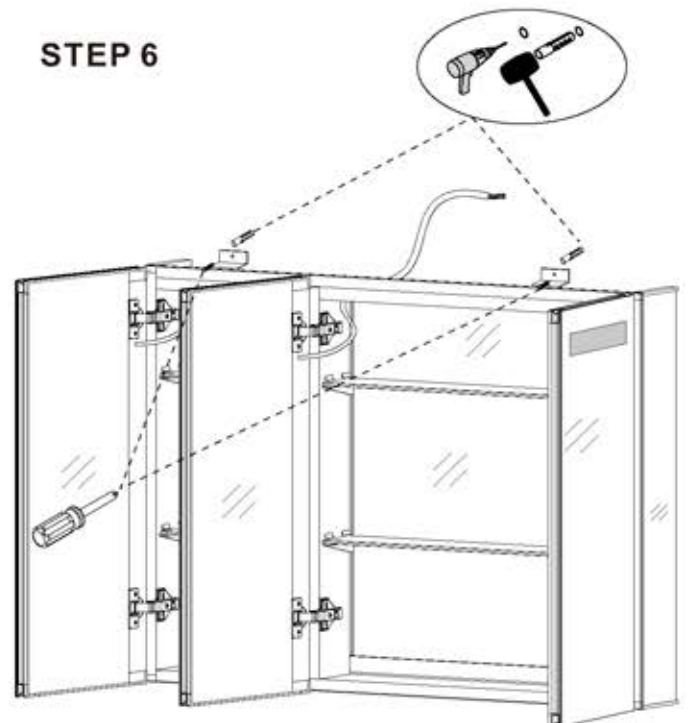
Note: ensure that the domestic electrical mains supply to which the cabinet is to be connected is turned off. connection of the product to the domestic electrical mains supply must only be carried out by a certified electrician.

STEP 5



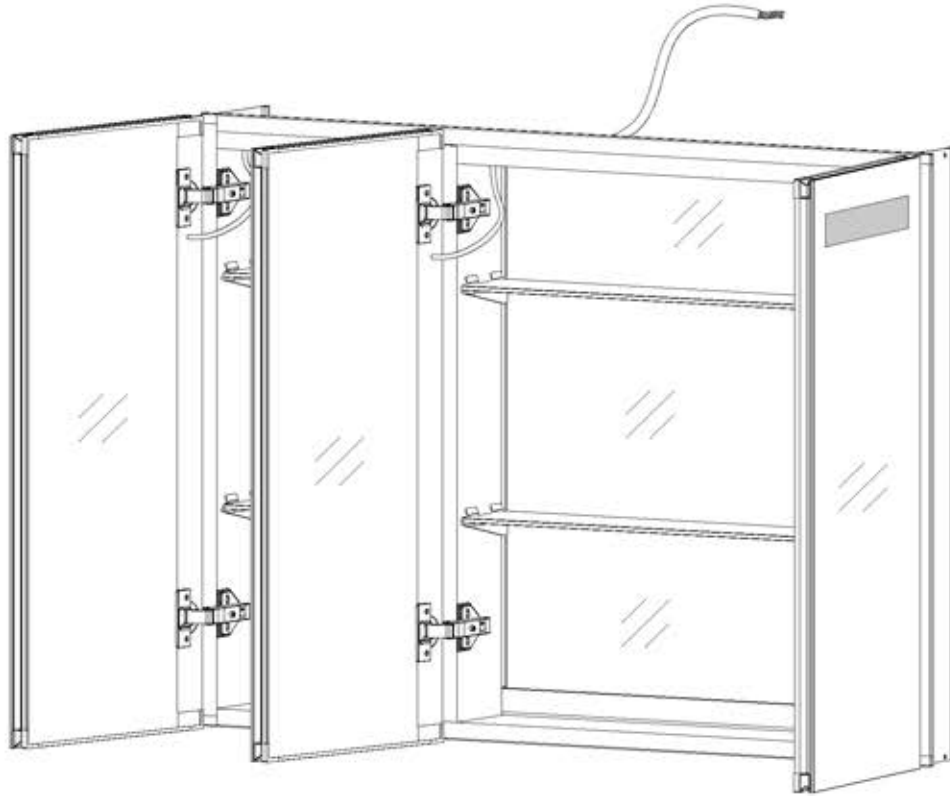
Position the screw holes which in the top brackets (C).

STEP 6

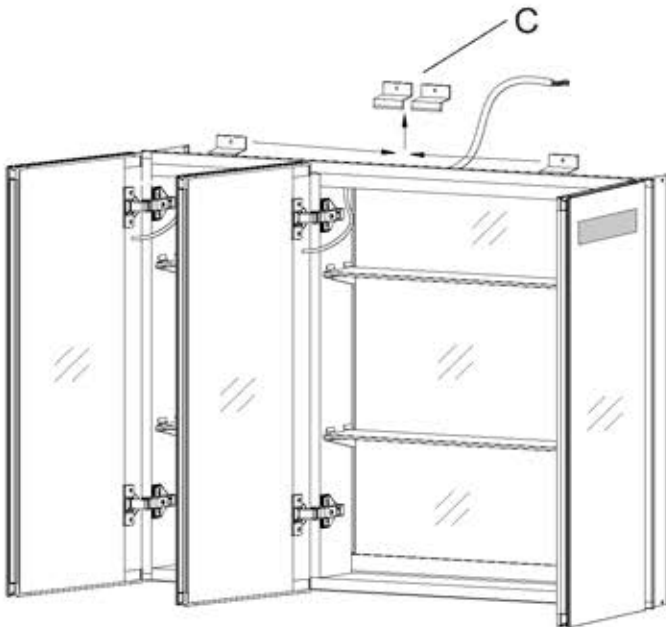


Secure the cabinet to the wall by using wall plugs (D) and fixing screws (L).

INSTALLATION(RECESS MOUNT)

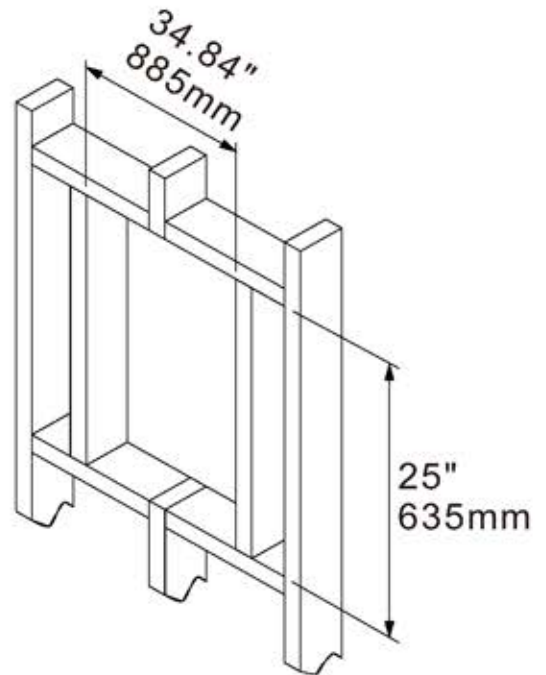


STEP 1



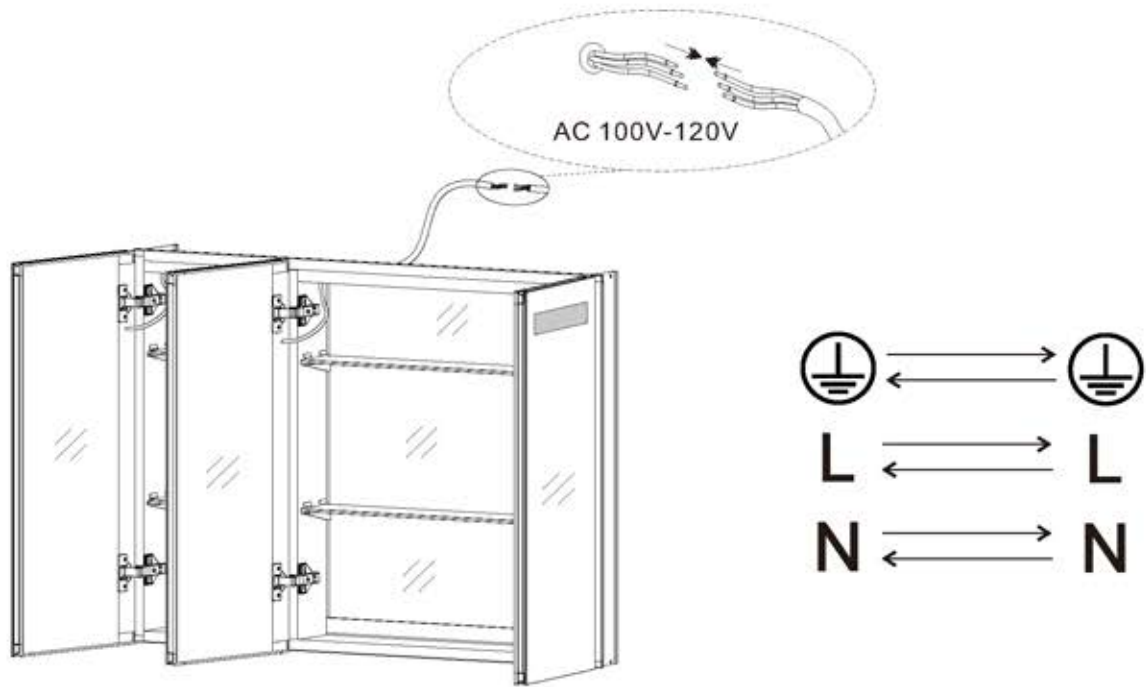
Remove the top brackets(C).

STEP 2



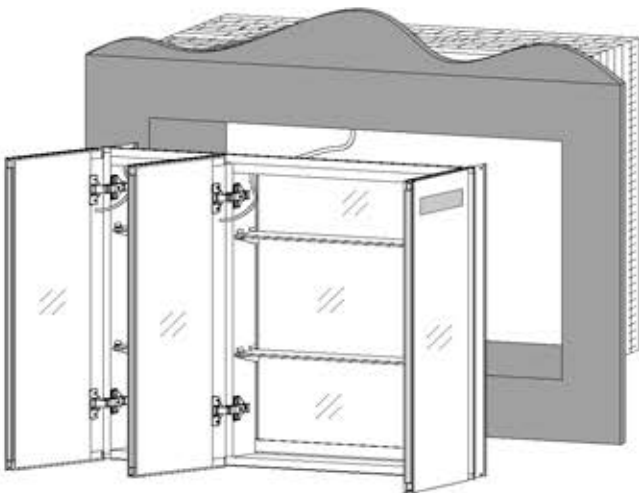
Draw the perimeter of the cabinet. Frame the cutout opening.

STEP 3



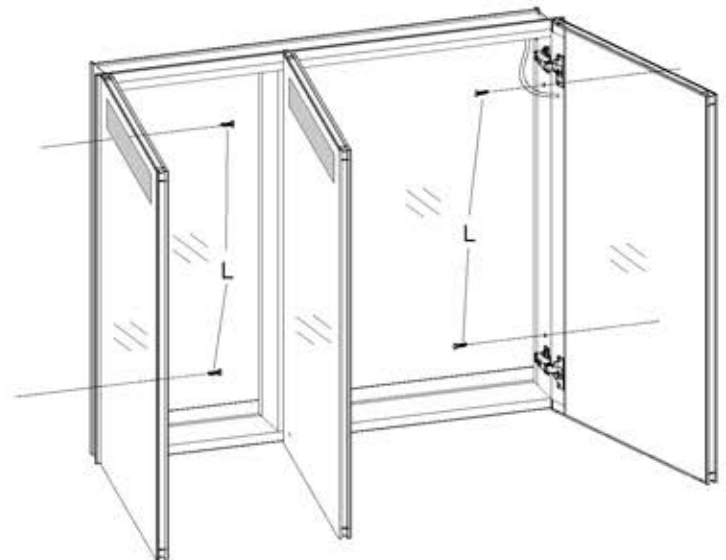
Note: ensure that the domestic electrical mains supply to which the cabinet is to be connected is turned off. Connection of the product to the domestic electrical mains supply must only be carried out by a certified electrician.

STEP 4



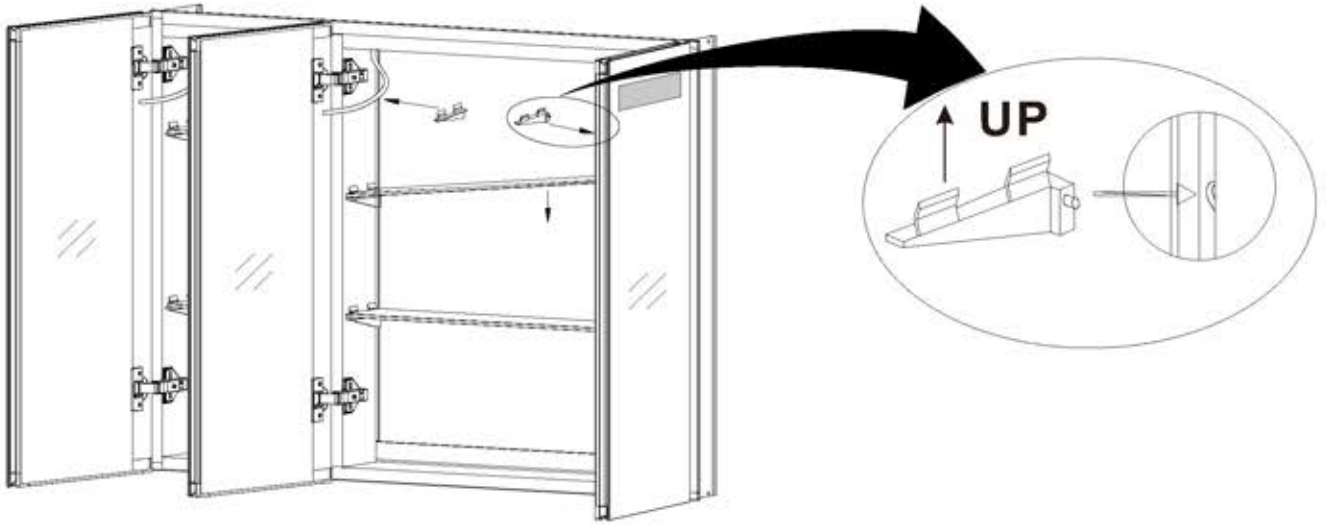
Place and hold the cabinet in the cutout.

STEP 5

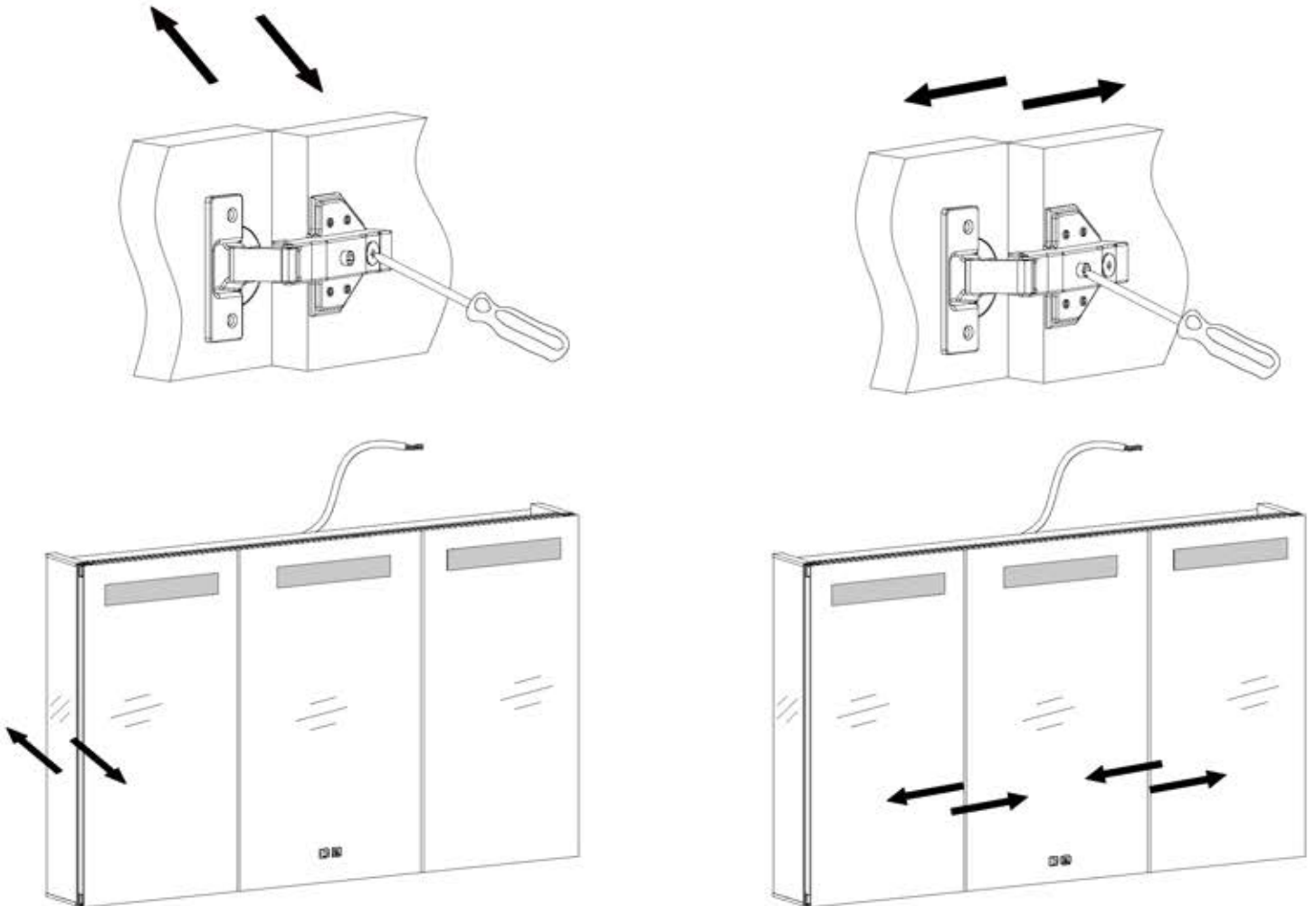


Level, then secure the cabinet with screws (L) through the mounting holes and into the wall studs.

To Assemble the Shelves



To Adjust the Hinge



Instructions for Use of LED Lamp and Antifogging Function



Anti-fog switch



LED switch

Usage method :



1. Pressing the anti-fog switch to turned on or off the anti-fog function;



2. Pressing the LED switch to turned on or off the LED lamp, long pressing the LED switch to adjust the brightness of the LED lamp;

The man effect area of anti-fogging is in the dotted line frame of the middle part of the mirror as shown in the figure below.

