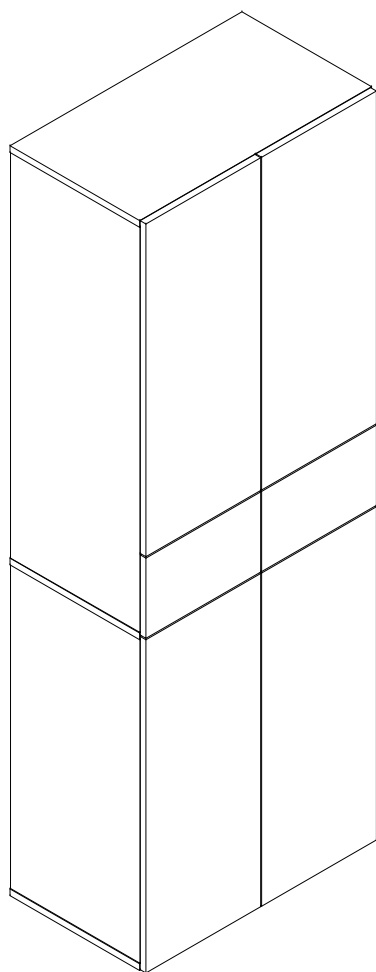
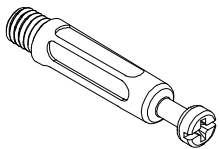
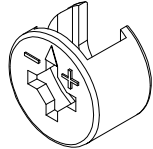
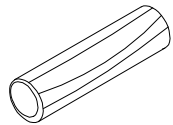
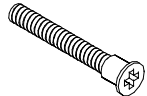
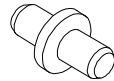
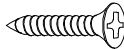
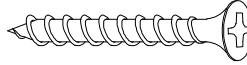
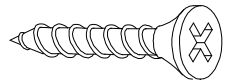
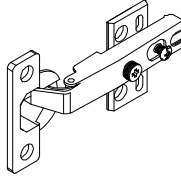
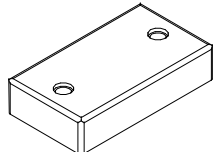

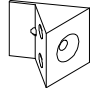
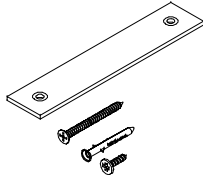
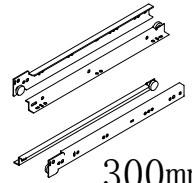
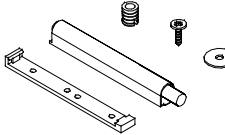
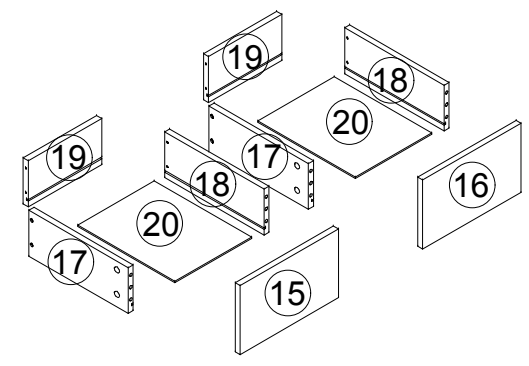
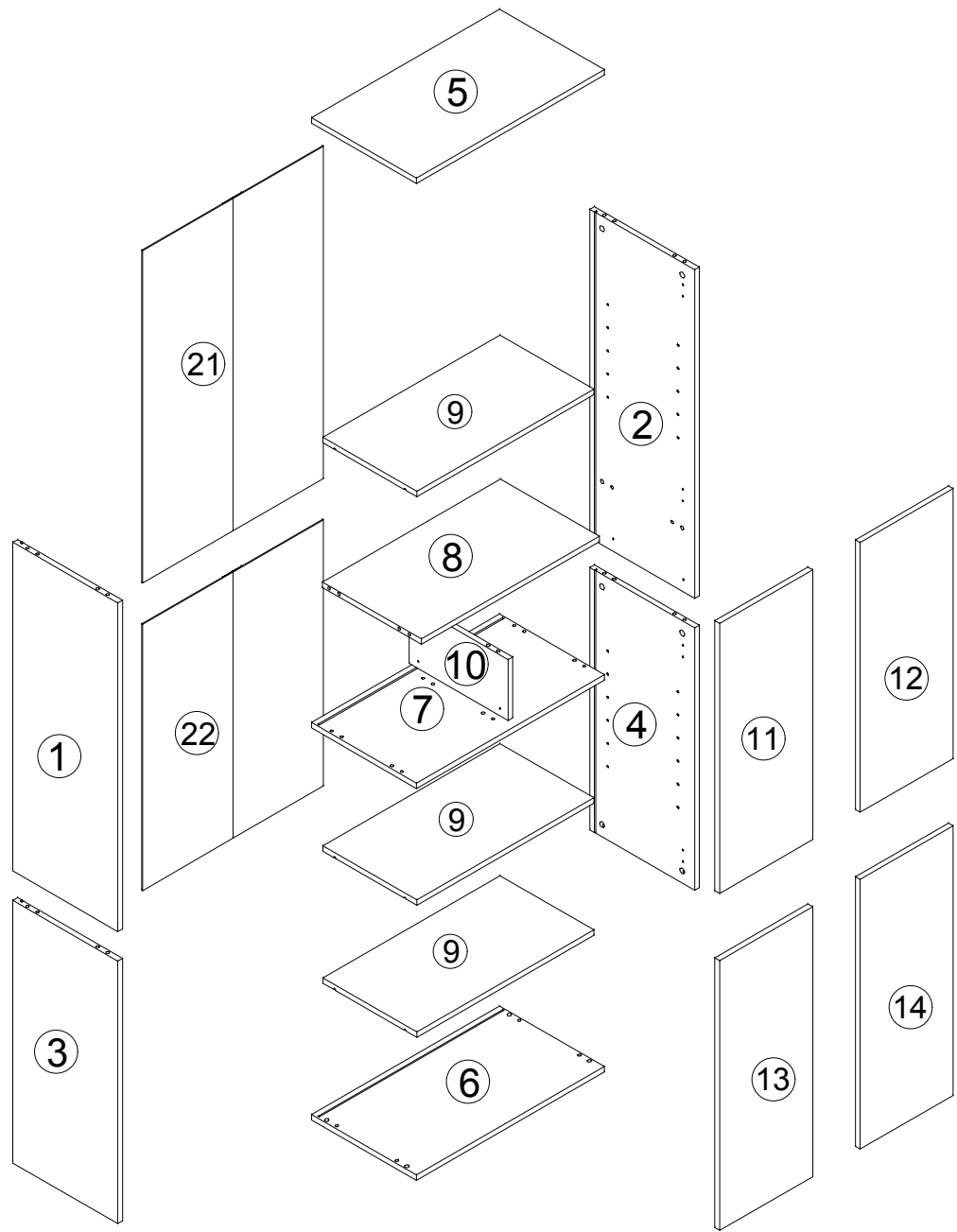


Assembly Instructions

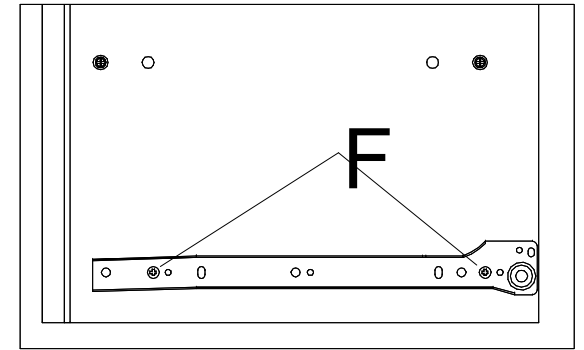
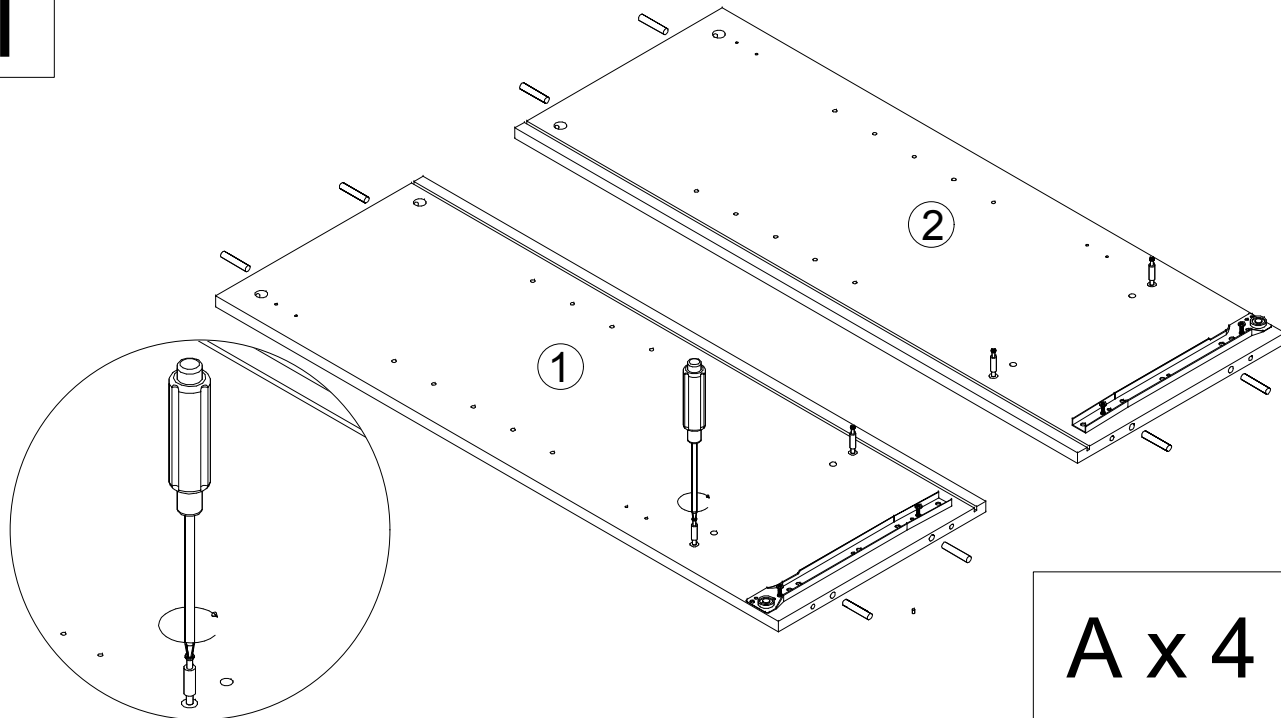
QI004696



		 ø8*40	 ø7*50
A x 26	B x 26	C x 28	D x 6
	 M3.5*14mm	 M3.5*35mm	 M4*25mm
E x 12	F x 76	G x 8	H x 8
			 ø3*14
I x 8	J x 4	K x 26	L x 20
	 300mm		
M x 1	N x 2	O x 6	

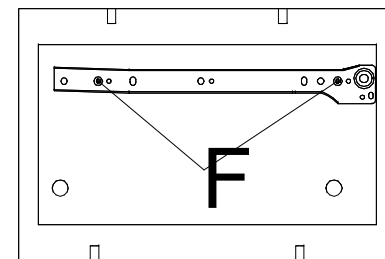
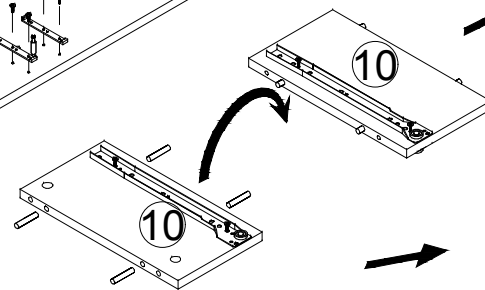
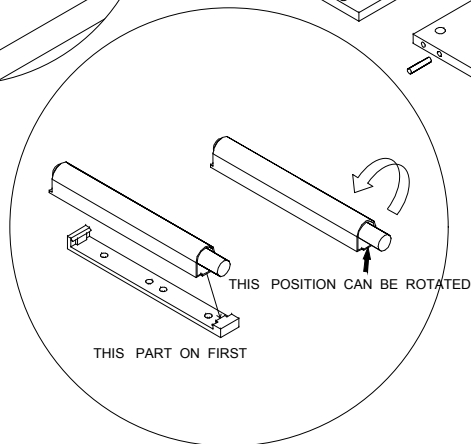
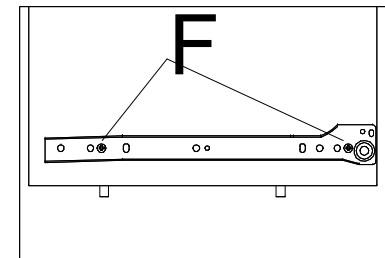
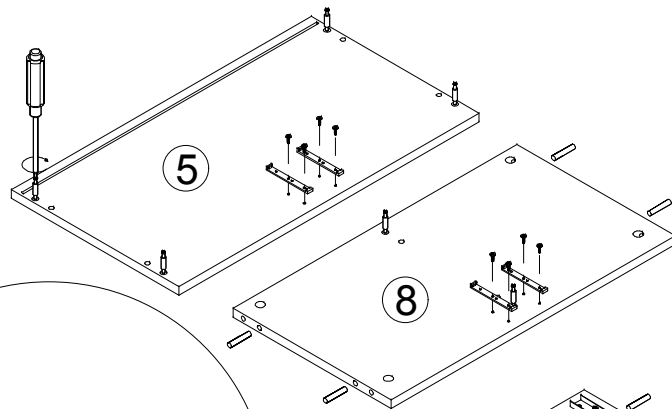
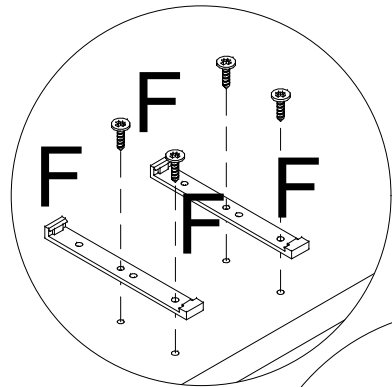


1



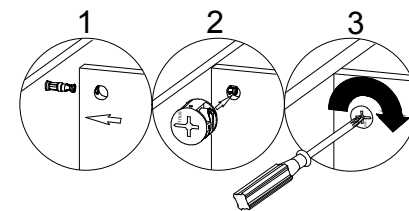
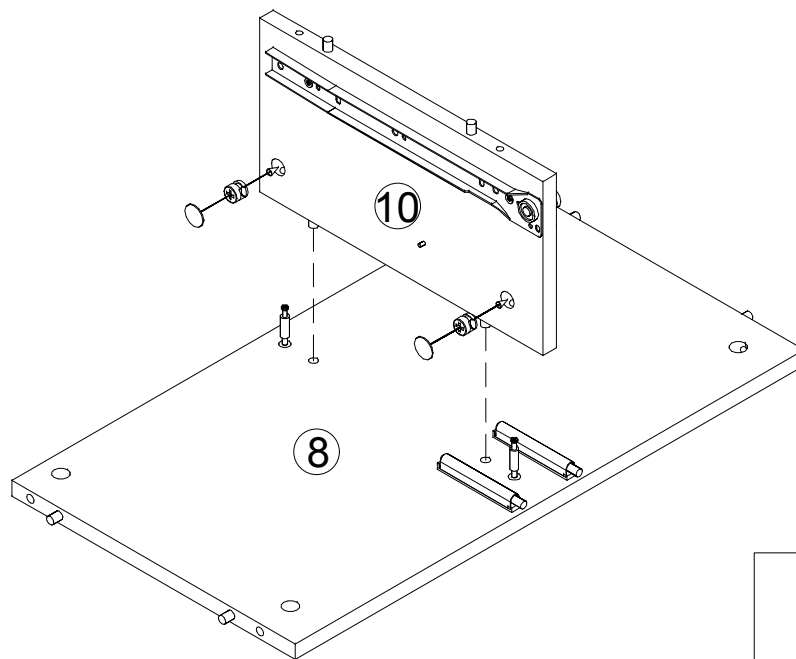
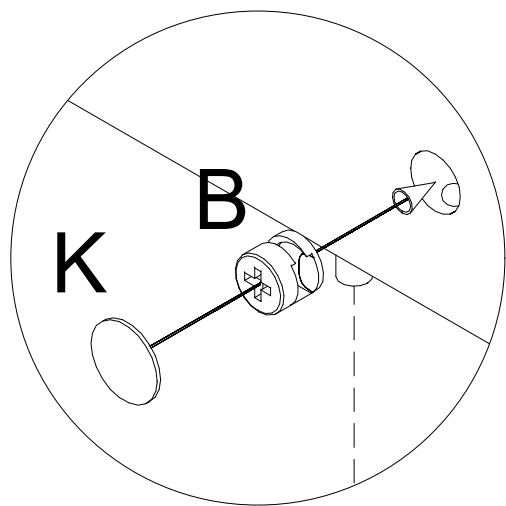
A x 4 C x 8 F x 4 N x 1

2



A x 6 C x 8 F x 12 N x 1 O x 4

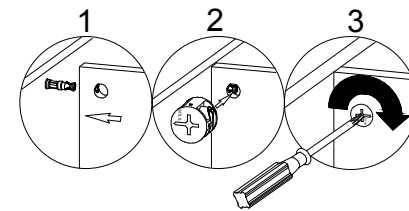
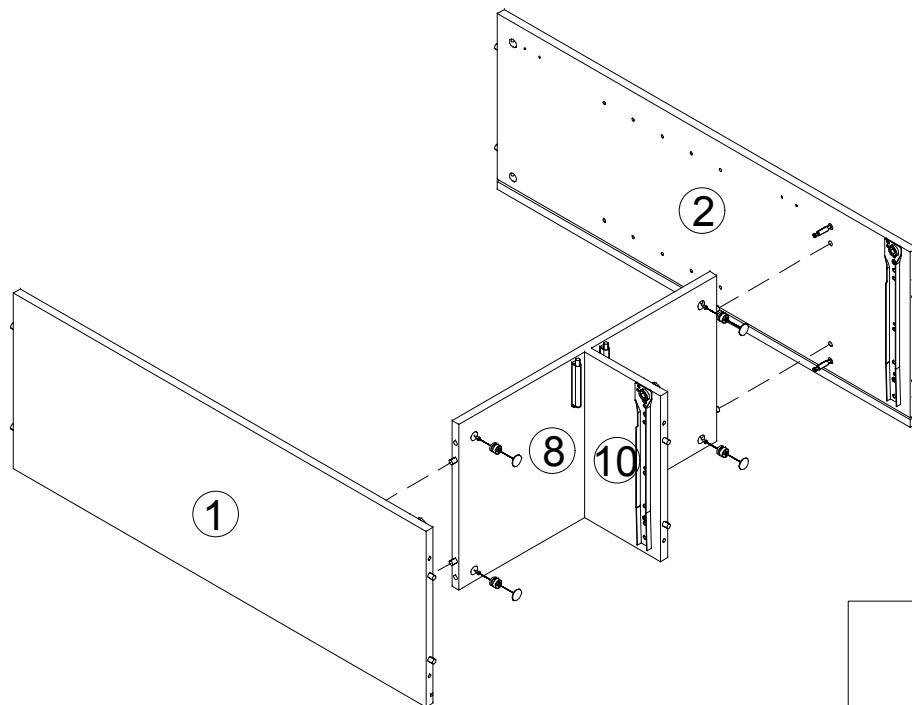
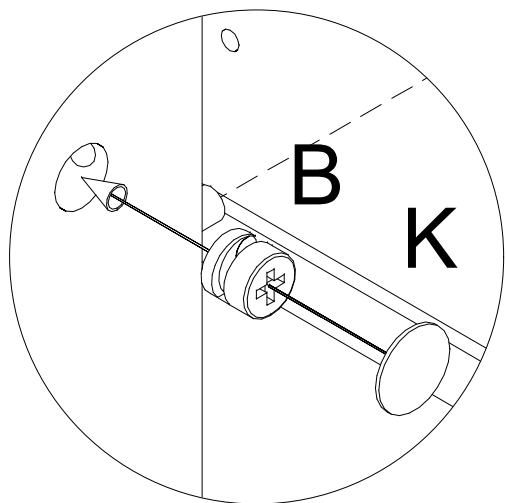
3



B x 2

K x 2

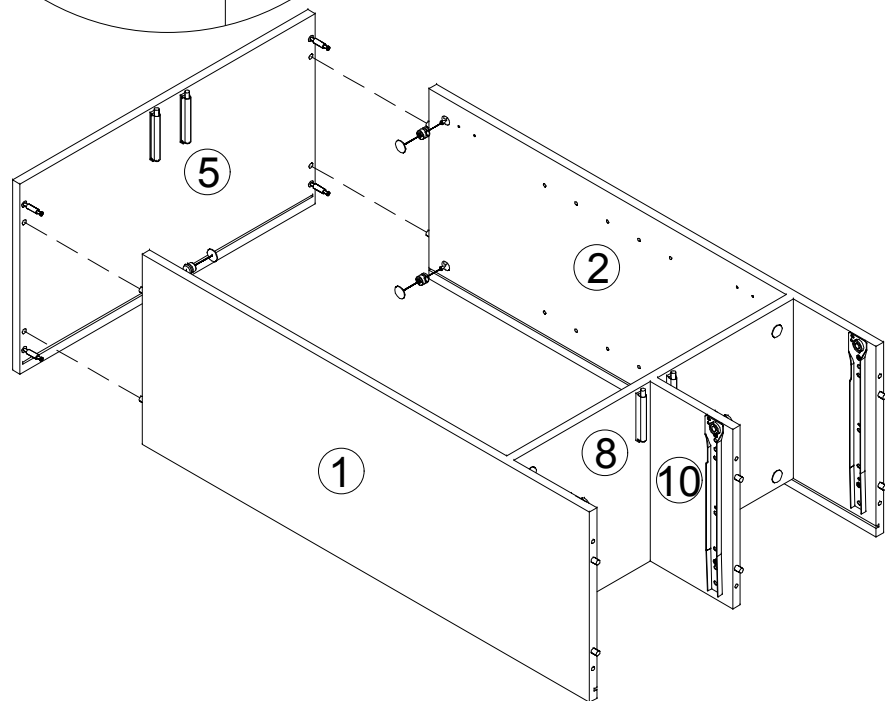
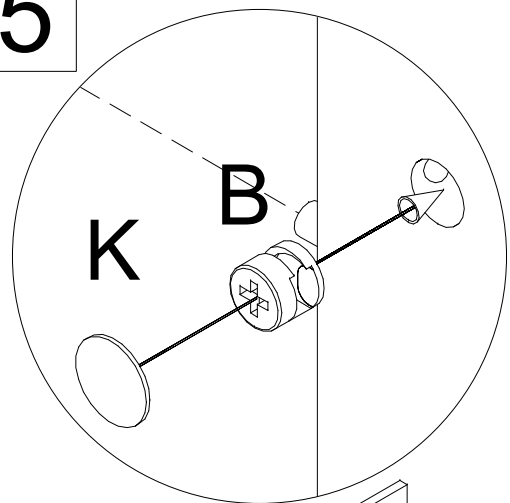
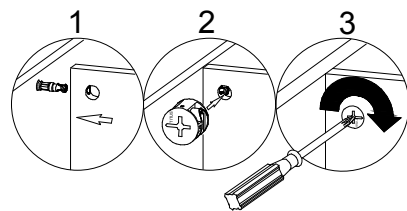
4



B x 4

K x 4

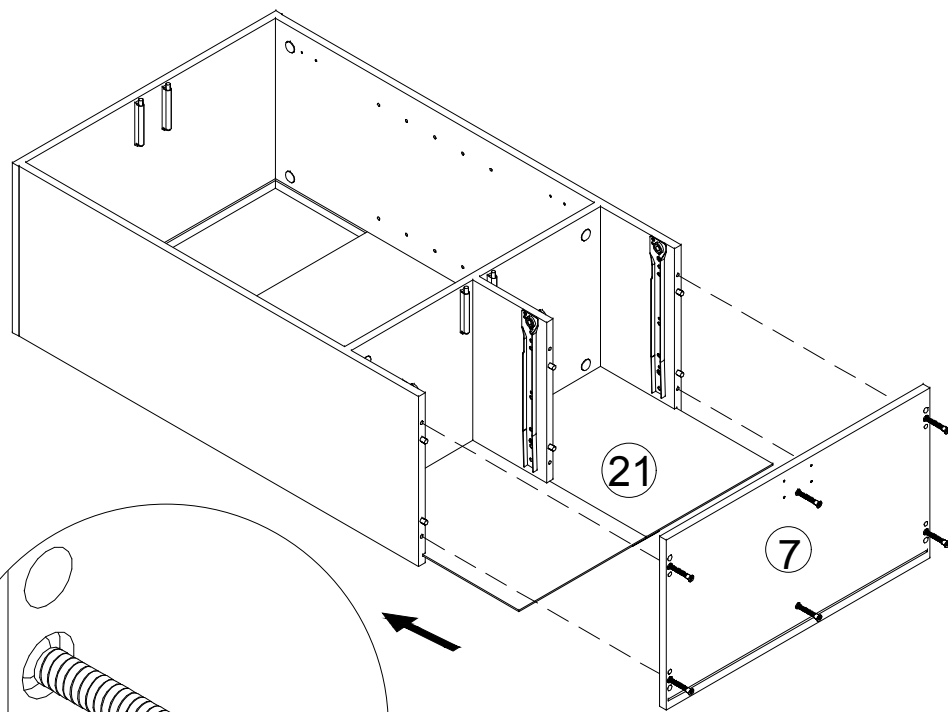
5



B x 4

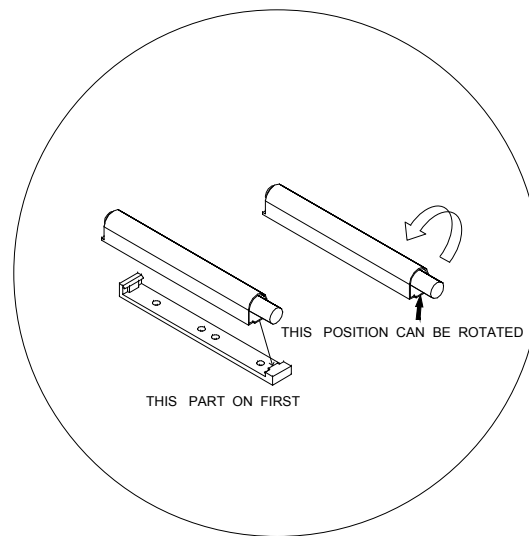
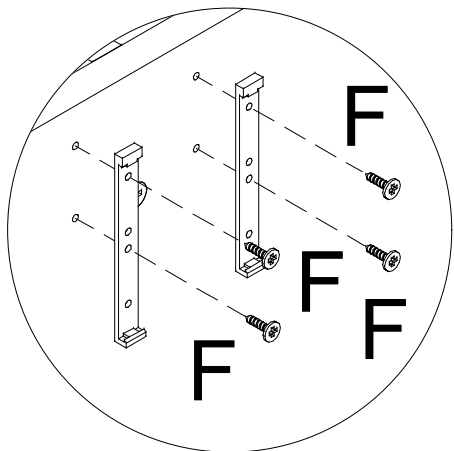
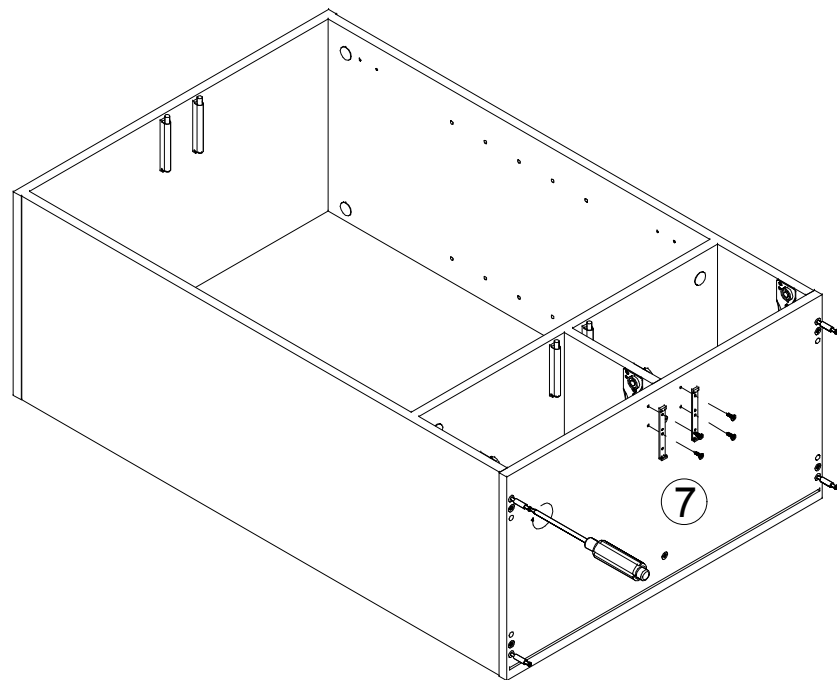
K x 4

6



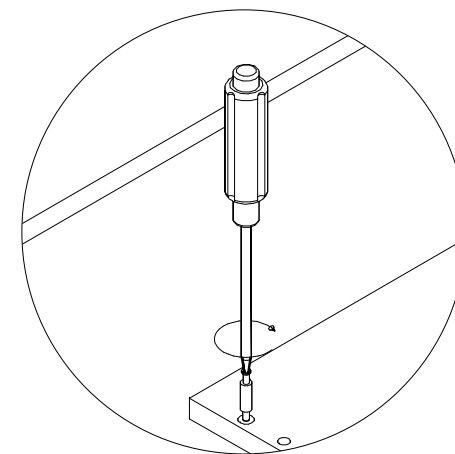
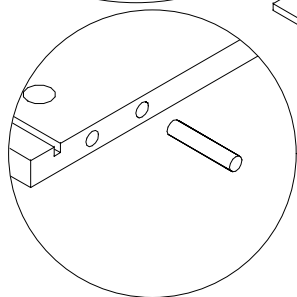
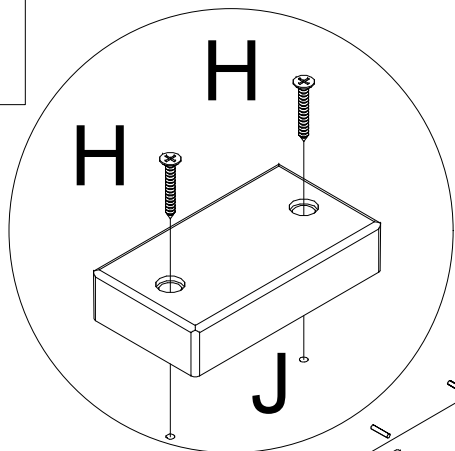
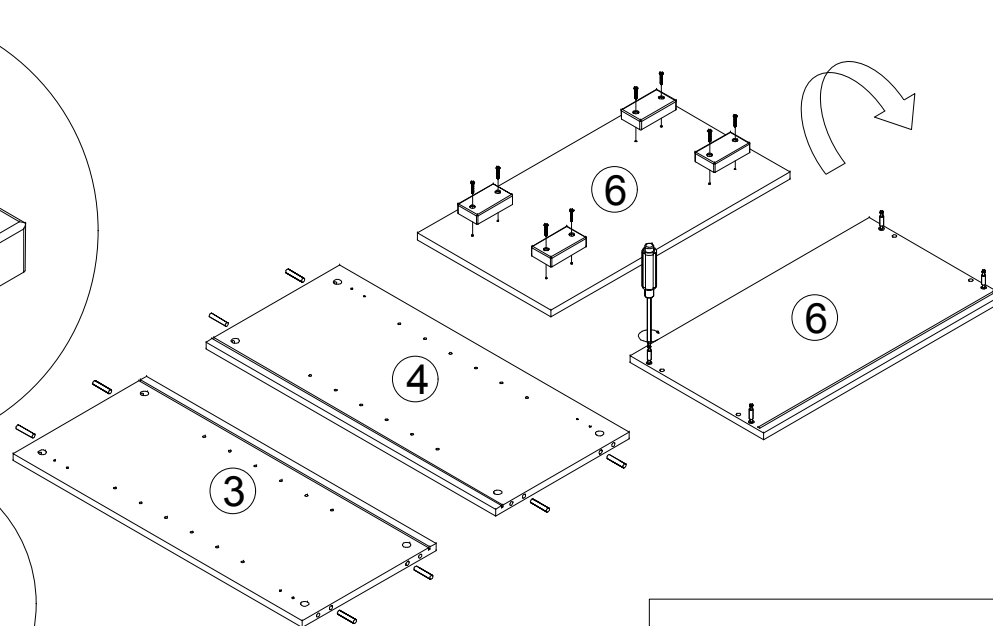
D x 6

7



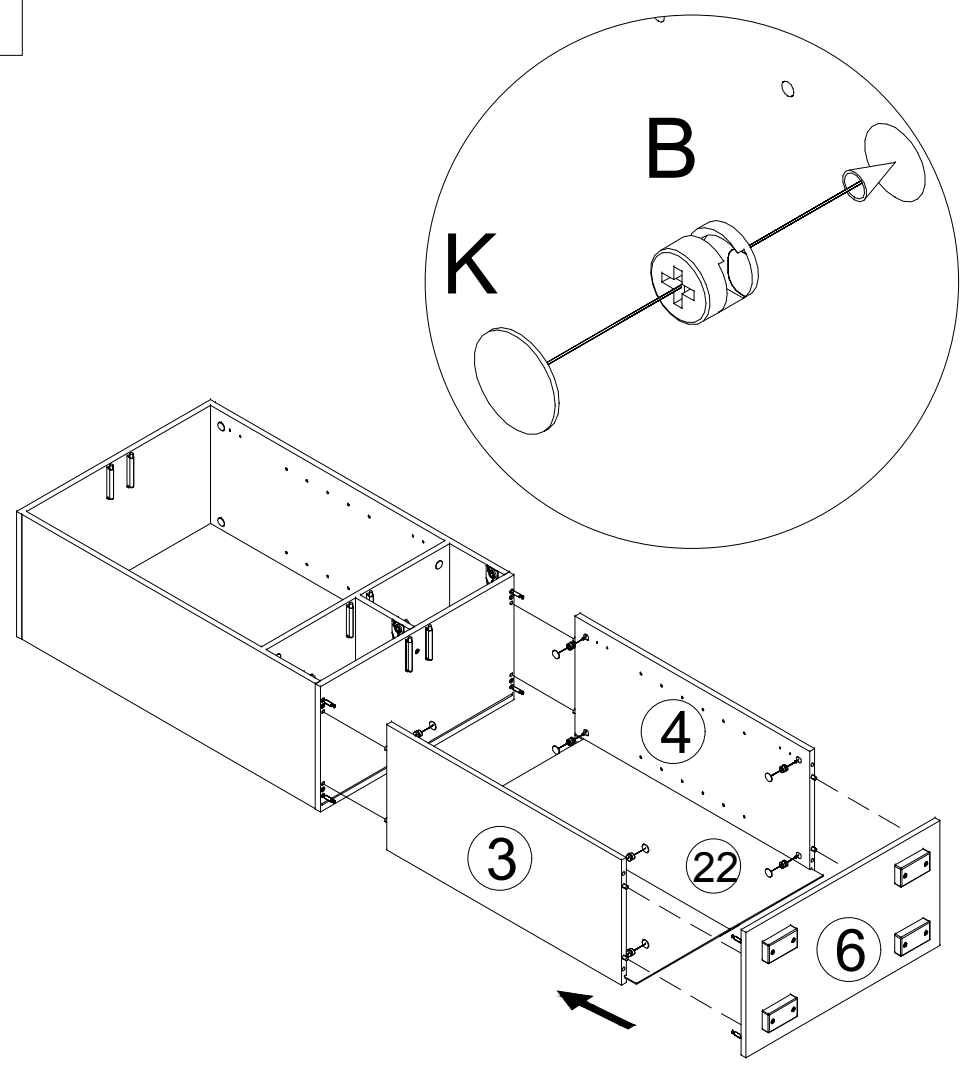
A x 4 F x 4 O x 2

8



A x 4 C x 8 J x 4 H x 8

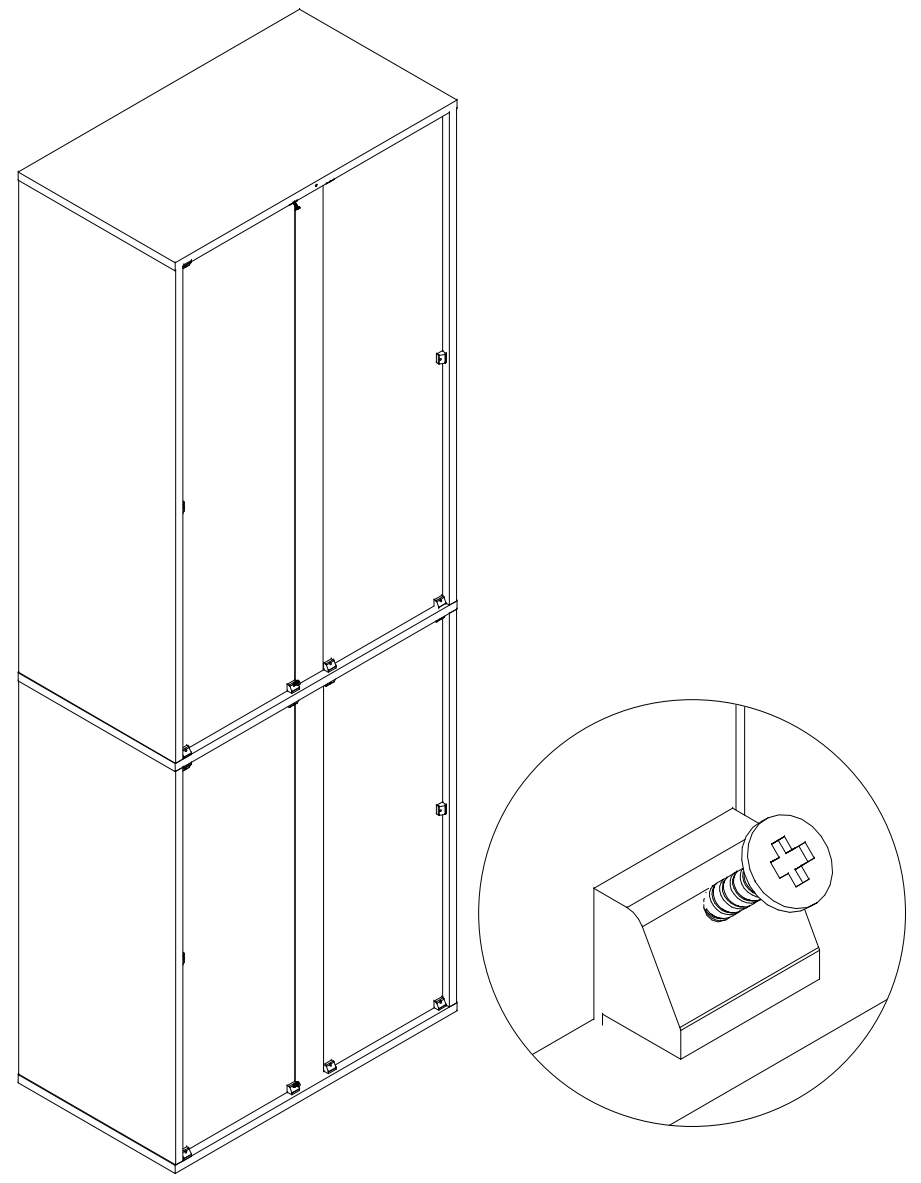
9



B x 8

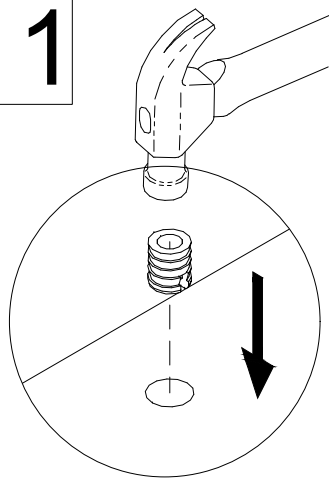
K x 8

10

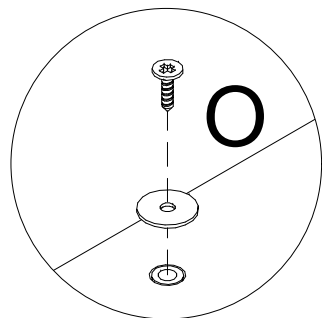
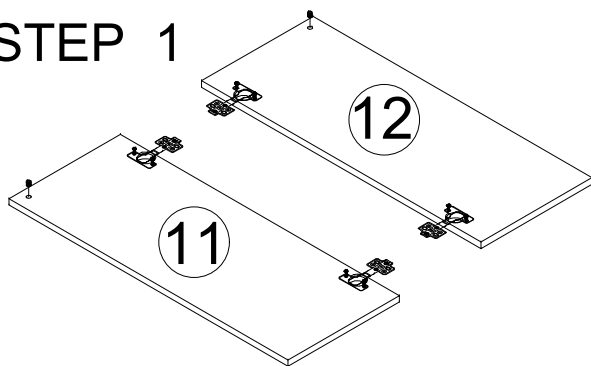


L x 20

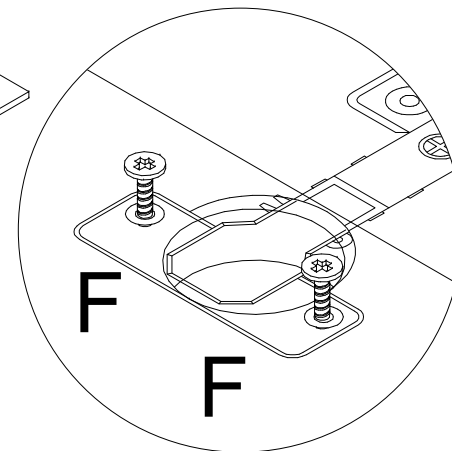
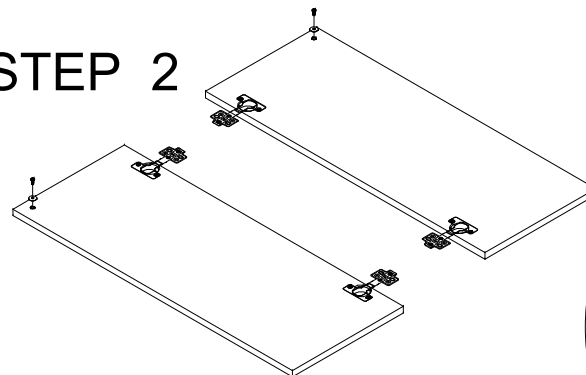
11



STEP 1



STEP 2

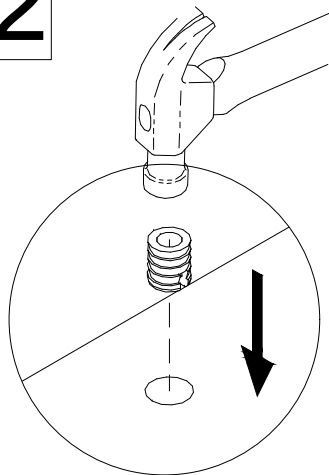


F x 8

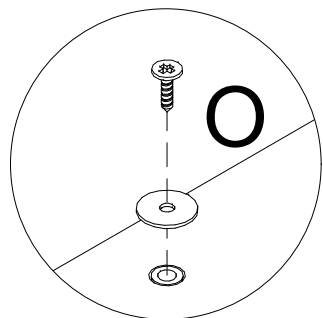
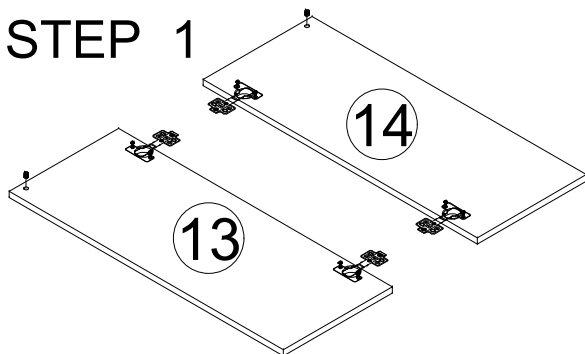
I x 4

O x 2

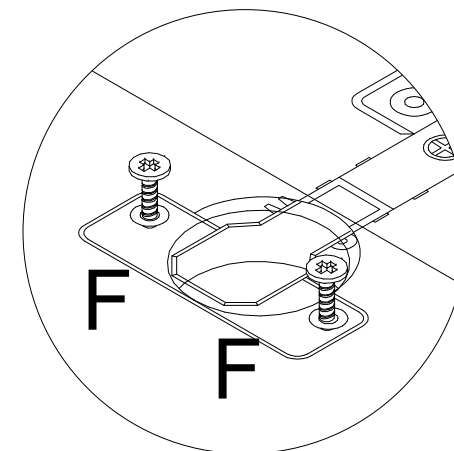
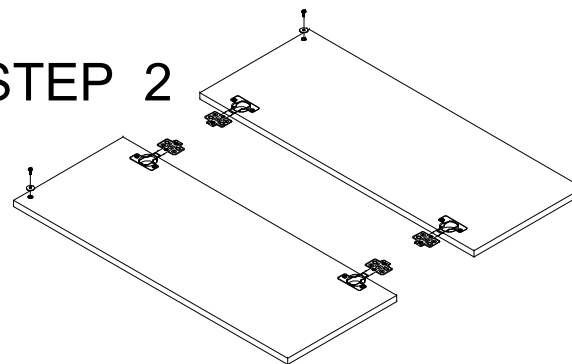
12



STEP 1



STEP 2

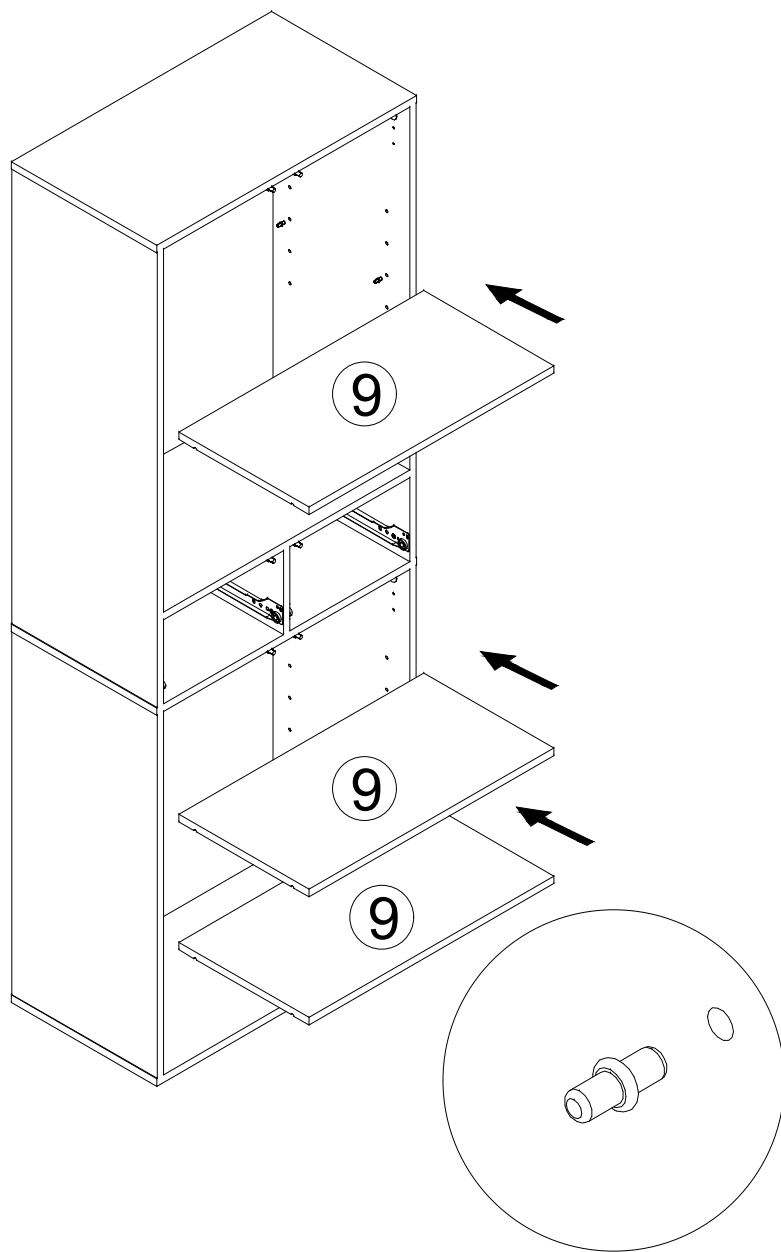


F x 8

I x 4

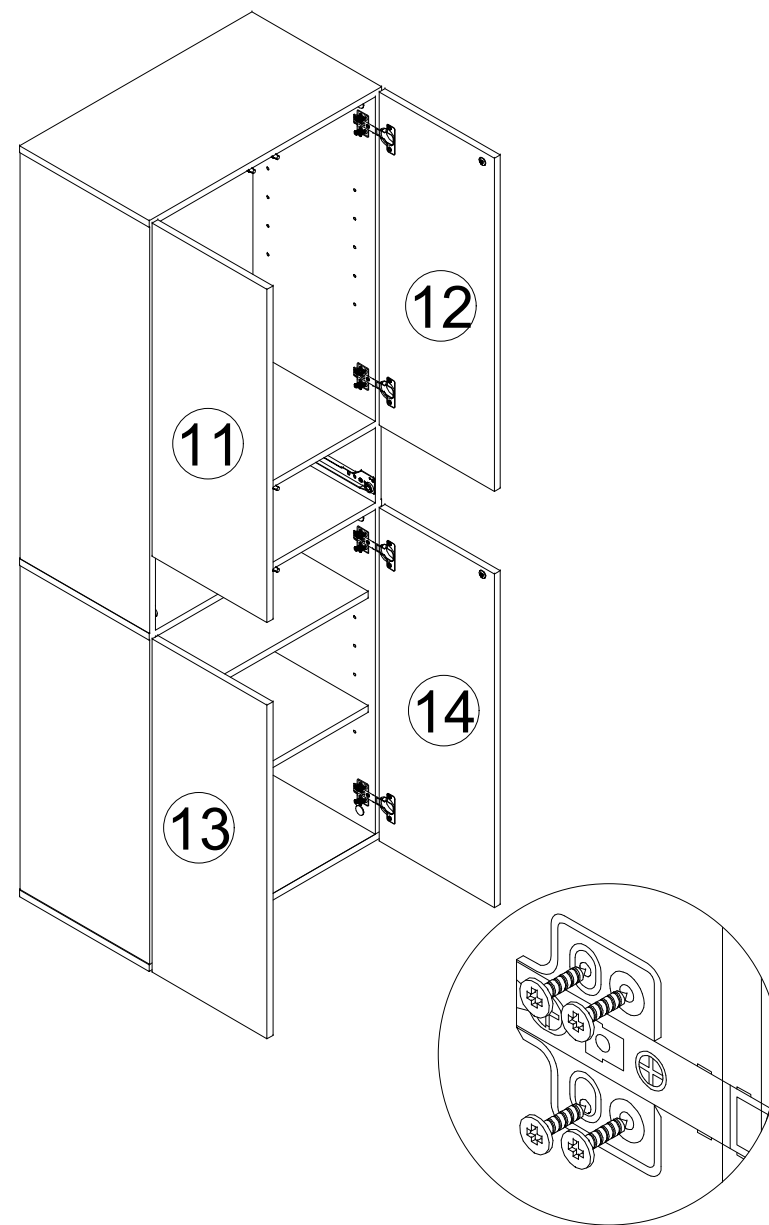
O x 2

13



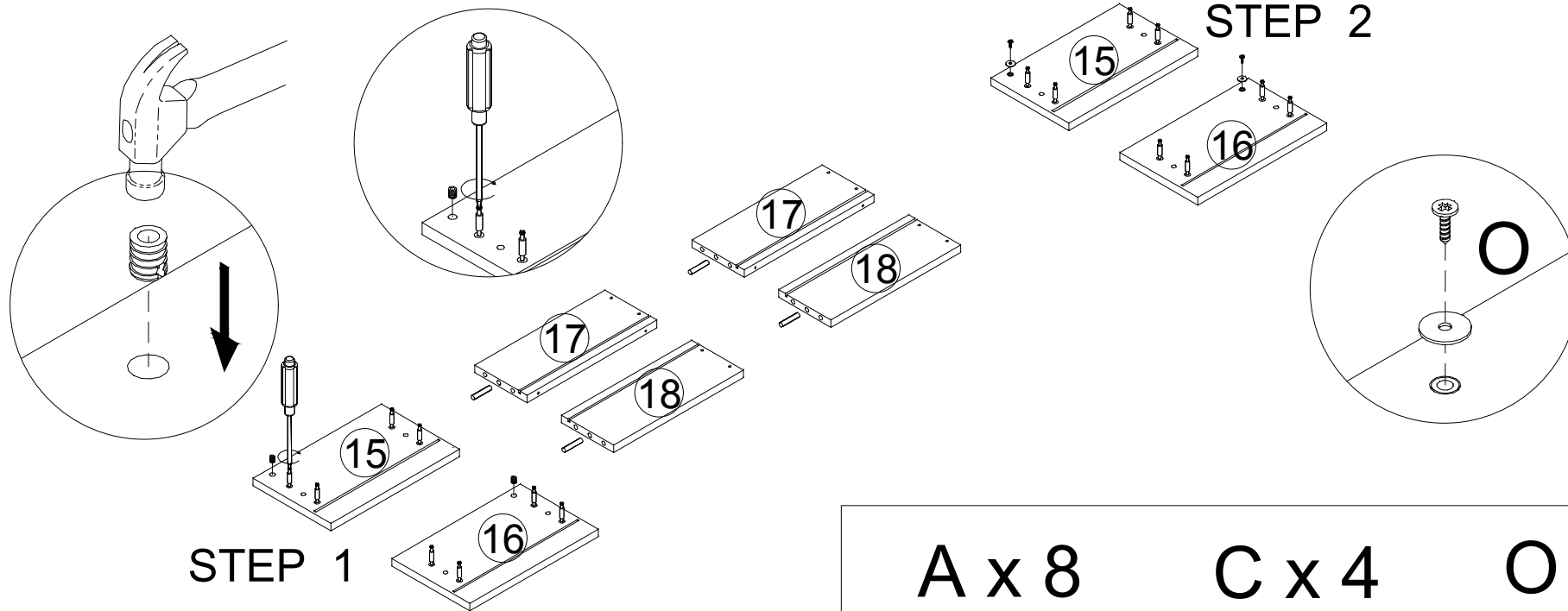
E x 12

14

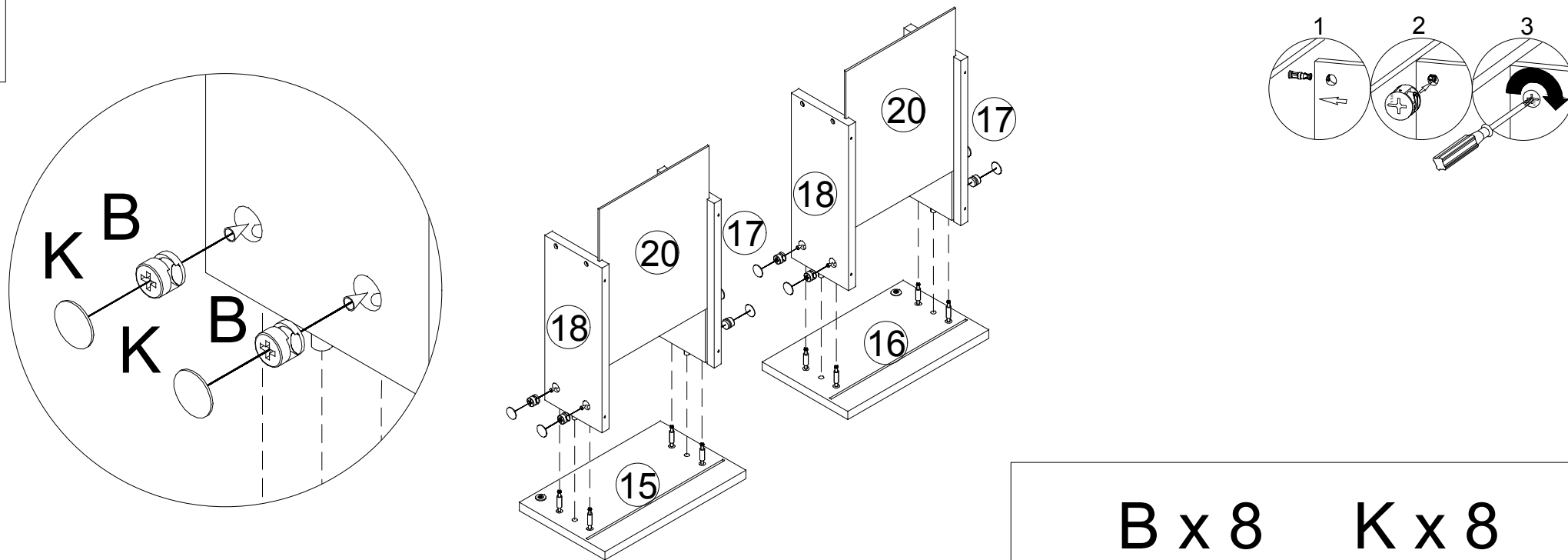


F x 32

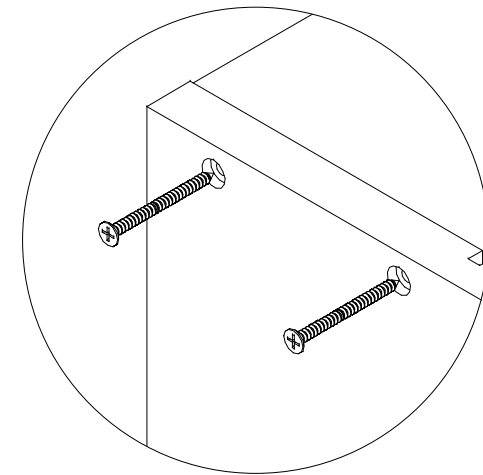
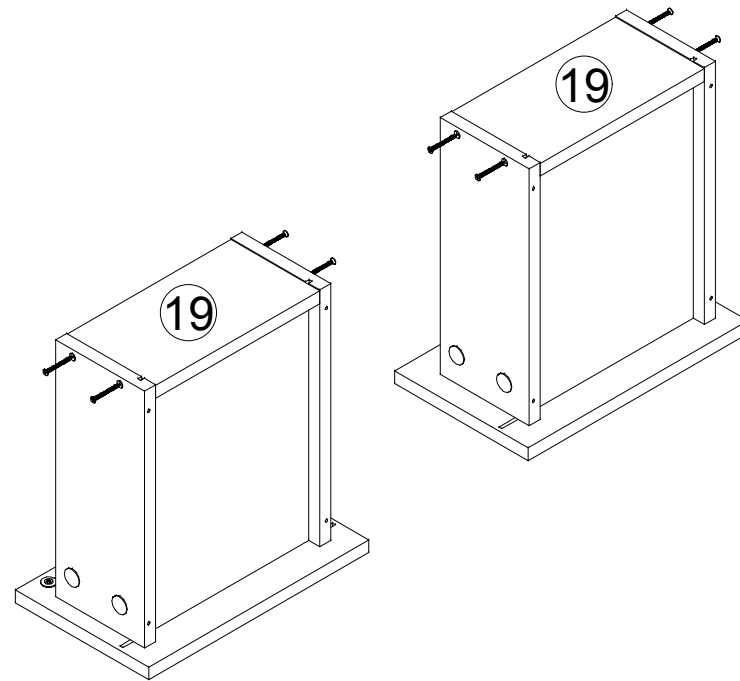
15



16

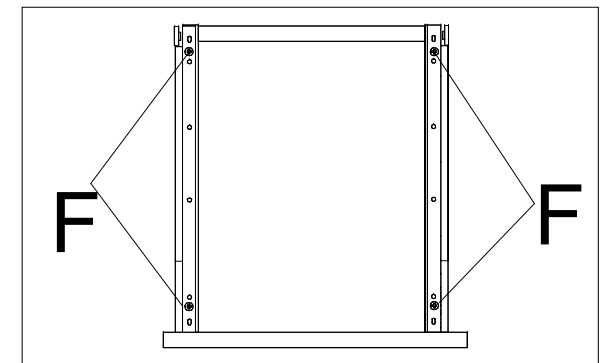
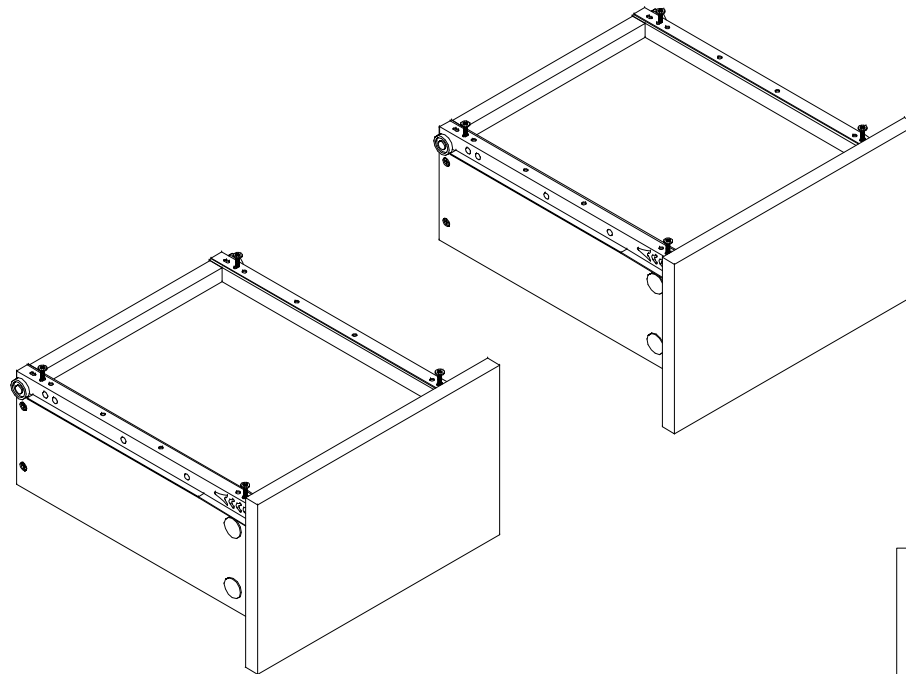


17



G x 8

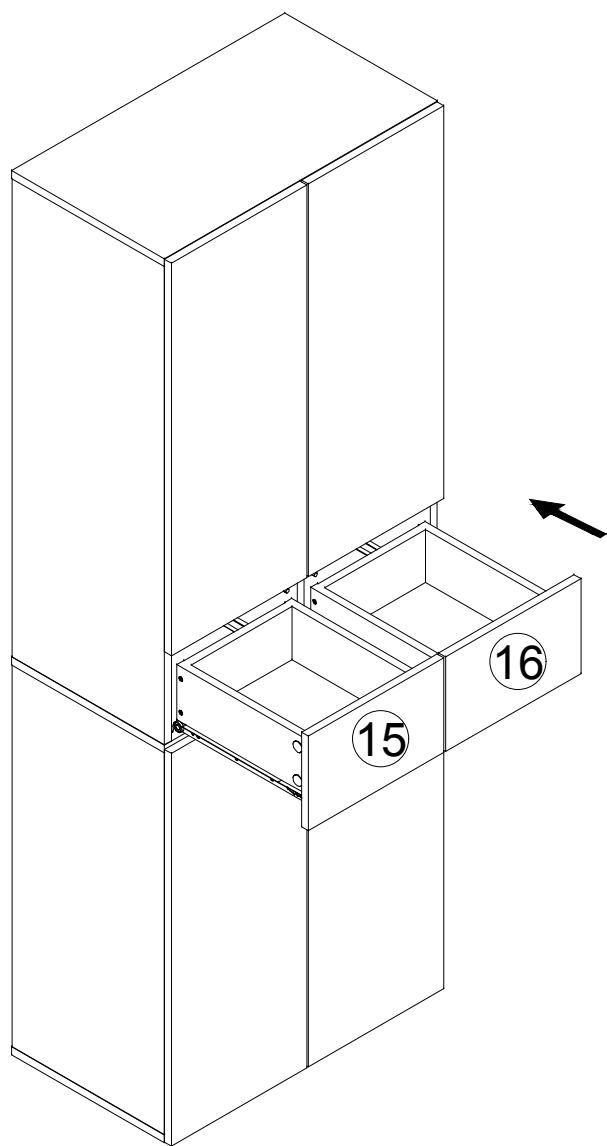
18



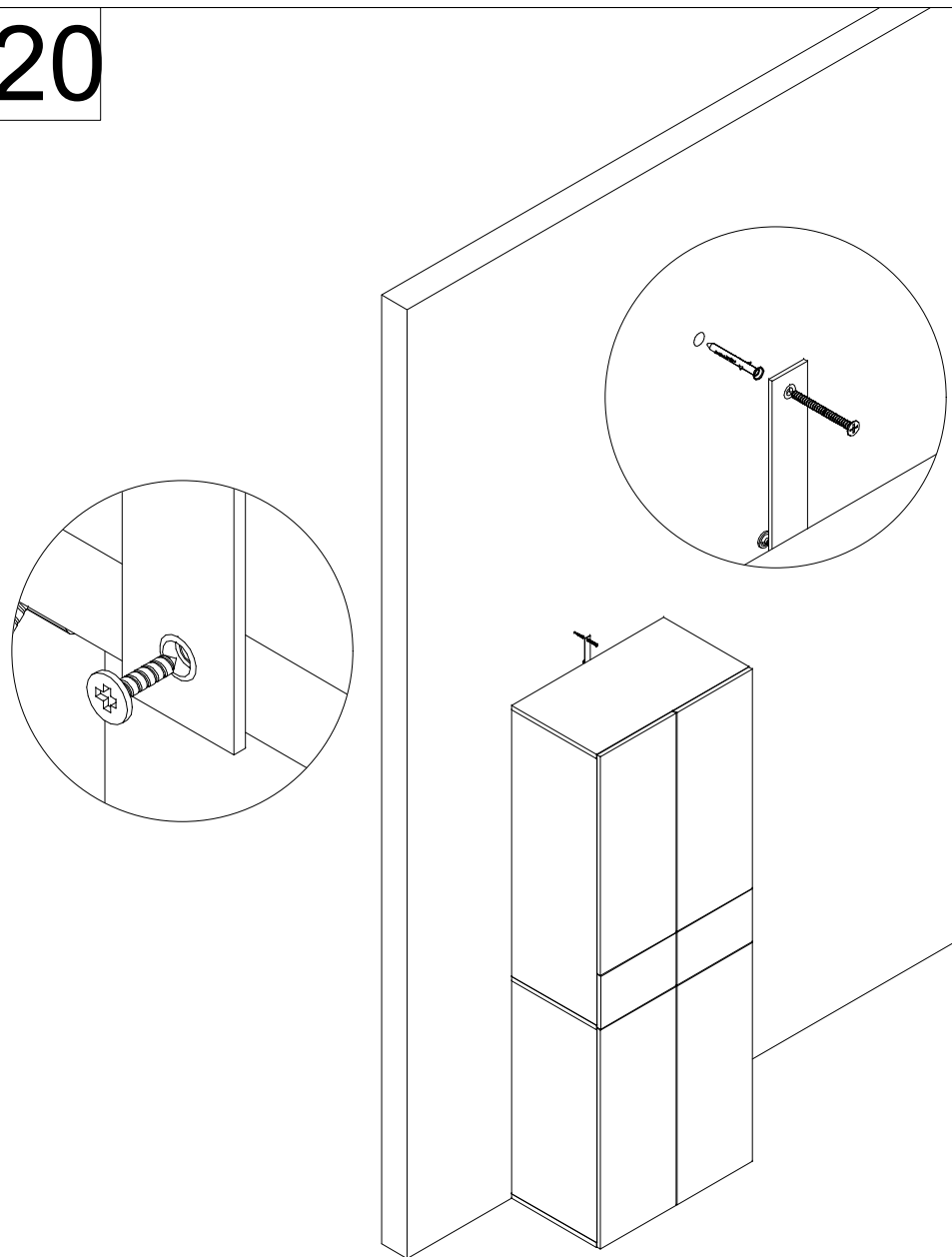
F x 8

N x 2

19



20



M x 1